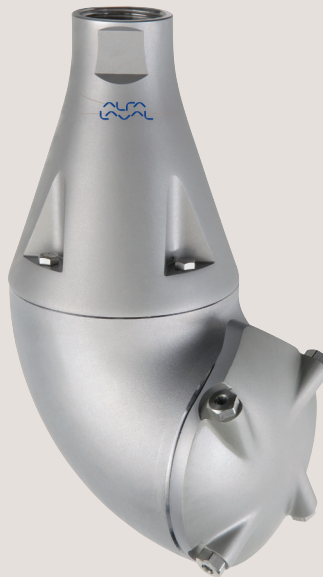




Spare Parts

Alfa Laval Toftejorg MultiJet 25

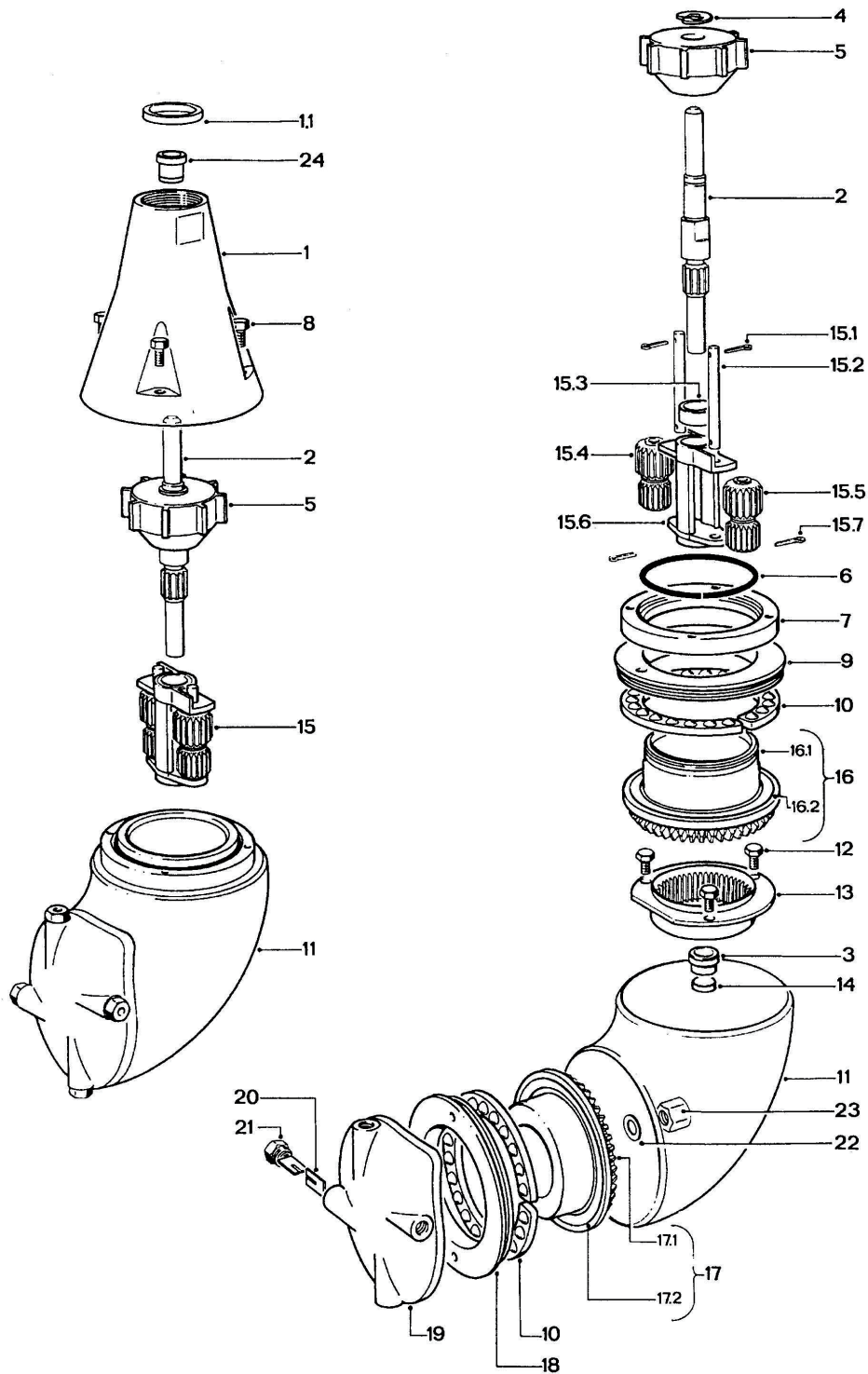


EPS00161-EN6 2020-07

Original manual

The information herein is correct at the time of issue but may be subject to change without prior notice

1. Alfa Laval Toftejorg MultiJet 25	
Part drawings, part list, service kits and tools	4



Alfa Laval Toftejorg MultiJet 25
Part drawings, part list, service kits and tools

Pos	Qty	Denomination	Item no.	Material	Remark
1	□	1 Cone, 1" BSP	TE20G506	Stainless steel	Spare part
	□	1 Cone, 1" NPT	TE20G507	Stainless steel	Spare part
2	1	1 Turbine shaft	TE20G550	Stainless steel	Spare part
3	↕•	1 Bearing for Turbine shaft	TE20G549	Polymer	Wear part
4	1	1 Circlip	TE51C201	Stainless steel	Spare part
5	□	1 Impeller, (ø3.9 mm nozzle)	TE20G553	Polymer (PVDF)	Spare part
	□	1 Impeller, (ø4.6 mm nozzle)	TE20G554	Polymer (PVDF)	Spare part
	□	1 Impeller, (ø5,5 mm nozzle)	TE20G555	Polymer (PVDF)	Spare part
	□	1 Impeller, (ø3.9 mm nozzle)	TE20G595	Polymer (PEEK)	Spare part
	□	1 Impeller, (ø4.6 mm nozzle)	TE20G596	Polymer (PEEK)	Spare part
	□	1 Impeller, (ø5.5 mm nozzle)	TE20G597	Polymer (PEEK)	Spare part
6	1	1 Retainer spring	TE20G565	Stainless steel	Spare part
7	1	1 Retaining ring	TE20G563	Stainless steel	Spare part
8	4	1 Screw	TE51A172	Stainless steel	Spare part
9	•	1 Stem nut with ball race	TE20G571	Stainless steel	Wear part
10	•	2 Ball retainer with balls	TE20G318	Polymer/Stain- less steel	Wear part
11	1	1 Body, 1)		Stainless steel	N/A
12	3	1 Screw	TE51A170	Stainless steel	Spare part
13	1	1 Internal gear	TE20G525	Stainless steel	Spare part
14	↕•	1 Slide bearing	TE20G558	Polymer	Wear part
15	1	1 Carrier assembly	TE20G330	Assembly	Spare part
15.1	•	2 Cotter pin	TE51C102	Stainless steel	Spare part
15.2	2	1 Shaft for Planet wheel	TE20G541	Stainless steel	Spare part
15.3	•	1 Bearing for planet gear carrier	TE20G545	Polymer	Wear part
15.4	↕•	1 Planet wheel I	TE20G535	Polymer	Wear part
15.5	↕•	1 Planet wheel II	TE20G536	Polymer	Wear part
15.6	1	1 Planet gear carrier	TE20G530	Stainless steel	Spare part
15.7	2	1 Cotter pin (= pos. 15.1)	TE51C102	Stainless steel	Spare part
16	1	1 Stem complete	TE20G319	Assembly	Spare part
16.1	1	1 Stem	TE20G624	Stainless steel	Spare part
16.2	1	1 Ball race	TE20G574	Stainless steel	Wear part
17	1	1 Hub complete	TE20G320	Assembly	Spare part
17.1	1	1 Hub	TE20G625	Stainless steel	Spare part
17.2	•	1 Ball race (= pos. 16.2)	TE20G574	Stainless steel	Wear part
18	•	1 Hub nut with ball race	TE20G573	Stainless steel	Wear part
19	□	1 Hub cover, 2)		Stainless steel	Spare part
	□	1 Hub cover, with vanes and logo	TE20G391	Stainless steel	Spare part
20	8	1 Nozzle vane	TE20G594	Stainless steel	Spare part
21	□	4 Nozzle, ø3,9 mm	TE20G608	Stainless steel	Spare part
	□	4 Nozzle, ø4,6 mm	TE20G609	Stainless steel	Spare part
	□	4 Nozzle, ø5,5 mm	TE20G605	Stainless steel	Spare part
22	↕•	1 Washer	TE20G584	Stainless steel	Wear part
23	1	1 Cap nut	TE51A521	Stainless steel	Spare part
24	↕•	1 Bearing for turbine shaft top	TE20G548	Polymer	Wear part

1): Pos. 11 is not sold as single spare part component but only as part of a machine maintenance/repair order. For further information please contact Alfa Laval Customer Support.

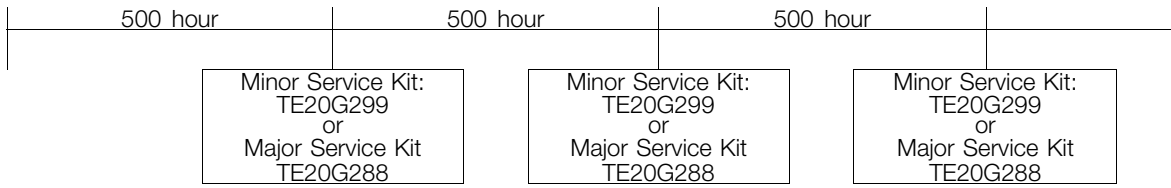
2) pos. 19: For machine maintenance/repair, please order item no. TE20G391.

Please note that some of the polymer parts are in PEEK, which is not resistant to concentrated sulfuric acid.

Service kits

Minor service kit MultiJet 25	TE20G299
Major service kit MultiJet 25	TE20G288

Service intervals



NOTE

The service intervals are recommended on the basis of pure liquids. When liquids contain particles and other kind of abrasives, we recommend shorter service intervals depending on the actual running conditions.

Alfa Laval Toftejorg MultiJet 25
Part drawings, part list, service kits and tools

Pos	Qty	Denomination	Item no.
Minor service kit			
		Minor Service kit	TE20G299
Consisting of:			
	1	Bearing for turbine shaft, top	TE20G548
	1	Washer, ø8mm w.seal	TE20G584
	1	Bearing for Turbine shaft	TE20G549
	1	Slide bearing	TE20G558
	1	Bearing for Planet gear carrier	TE20G545
	1	Planet wheel	TE20G535
	1	Planet wheel	TE20G536

Pos	Qty	Denomination	Item no.
Major service kit			
		Major Service kit	TE20G288
Consisting of:			
	2	Ball retainer w. balls	TE20G318
	1	Planet wheel I	TE20G535
	1	Planet wheel II	TE20G536
	1	Bearing for Planet Gear carrie	TE20G545
	1	Bearing for turbine shaft, top	TE20G548
	1	Bearing for Turbine shaft	TE20G549
	1	Slide bearing	TE20G558
	1	Stem nut with Ball race	TE20G571
	1	Hub nut with Ball race	TE20G573
	2	Ball race	TE20G574
	1	Washer, ø8mm w.seal	TE20G584
	2	Cotter pin	TE51C102

NOTE

For all machines **with serial number below 0604 001**, please contact your local Alfa Laval office for correct service kit.

Pos	Qty	Denomination	Item no.
Tools			
		Standard Tool Kit	TE81B085
Consisting of:			
		Caliper	TE369
		Socket wrench w. pin	TE462A
		Spanner	TE81B040
		Spanner	TE81B041
		Torque wrench tool kit	TE81B087
Consisting of:			
		Torque wrench with interchangeable ratchet head	TE81B088
		Ring insert tool for torque wrench	TE81B089

Additional tool available on request

		Fixture tool kit for body	TE20J386
--	--	---------------------------------	----------

How to contact Alfa Laval

Contact details for all countries are continually updated on our website.

Please visit www.alfalaval.com to access the information directly.

© Alfa Laval Corporate AB

This document and its contents is owned by Alfa Laval Corporate AB and protected by laws governing intellectual property and thereto related rights. It is the responsibility of the user of this document to comply with all applicable intellectual property laws. Without limiting any rights related to this document, no part of this document may be copied, reproduced or transmitted in any form or by any means (electronic, mechanical, photocopying, recording, or otherwise), or for any purpose, without the expressed permission of Alfa Laval Corporate AB. Alfa Laval Corporate AB will enforce its rights related to this document to the fullest extent of the law, including the seeking of criminal prosecution.