

# Alfa Laval Installation Material

## Introduction

Alfa Laval is your complete source for specialized fittings and tubing required in food, dairy, beverage, personal care, biotechnology and pharmaceutical process applications. Smooth, crevice-free interiors and secure, self-aligning joints are characteristic for Alfa Laval Fittings. Each offers superior corrosion-resistance and unmatched service life. Alfa Laval fittings are designed and manufactured to ensure dimensional accuracy and structural integrity, making them easy to install. Tubing is manufactured to Alfa Laval's stringent specifications, making it a perfect match for the weld fittings. Choose from a wide range of tube sizes, surface finishes and connect options. All products are labelled with a bar code, product information and manufacturing date. This provides the optimum identification and ensures that the product arrives to the job site in a clean orbital weld condition. The Alfa Laval tubes and fittings are divided into two product ranges, Hygienic and UltraPure. The Hygienic range is suitable for most standard duties and the UltraPure range is suitable for duties with extra high demands on hygiene and cleanability.

## Hygienic range tubes and fittings

The Hygienic product range offers a wide range of tubes and fittings with an internal surface finish from  $Ra < 1.6 \mu\text{m}$ . The Hygienic range has tubes and fittings according to EN10357-A (DIN 11850), ISO 2037 and BS 4825. Tri-Clover Tri-Clamp® and Tri-Weld® Fittings are part of Alfa Laval's product line produced according to ASME BPE dimension standards. Tubing is manufactured to Alfa Laval's stringent specifications, making it a perfect match for the Weld Fittings. Choose from a complete range of tube sizes and connection options. The internal surface finish is  $Ra < 0.8 \mu\text{m}$ . All product wetted stainless steel items in the Hygienic range are delivered with 3.1. certificate in accordance with EN 10204.

## UltraPure range tubes and fittings

Alfa Laval is proud to present the line of Fittings designed for use in the Pharmaceutical and Bio-Technologies Industries. This line consists of Tri-Clover® parts with either Tri-Weld® ends suitable for use with Orbital Welding Equipment or self-aligning Tri-Clamp® end connections. Alfa Laval offers a full line of UltraPure Fittings that are manufactured in compliance with the current ASME BPE Standard. All BPE items are individually capped and bagged. All products are labelled with a bar code, product information and manufacturing date. This provides the optimum identification and ensures that the



product arrives to the job site in a clean orbital weld condition. The UltraPure product range offers an internal surface finish from  $Ra < 0.8 \mu\text{m}$ , either electro polished or mechanically polished. All product wetted stainless steel items in the UltraPure range are delivered with MTR (Mill Test Report) or with 3.1. certificate in accordance with EN 10204. The UltraPure range is manufactured under extra strict and thorough quality control methods. Wall thickness integrity is maintained by fabrication grade minimum wall tubing for all cold-formed tubular products. After cold forming, our tube product is resized to ensure that the ovality falls within the prescribed tolerances. End facing is provided with a machined square-cut method. This allows for the most accurate and consistent orbital weld result. All fittings are put through 100% visual inspection and ovality and squareness tolerances are inspected with calibrated equipment. Surface finish is inspected with a calibrated profilometer to ensure the Roughness average (Ra) maximum is not exceeded.

## TECHNICAL DATA

Alfa Laval offers a range of Mechanical Polish as well as Electropolish finishes. Mechanical polishing is achieved by using a progressive series of abrasives, from low to high grit. This allows a consistent internal finish and both optimal and economical cleaning. Electropolishing is a further process that promotes a chromium-enriched surface layer that maximizes corrosion resistance as well as minimizing bacterial build up on surface cavities. Metallurgy - Incoming raw material goes through a stringent inspection process to ensure its chemistry will be ideal for both weldability and electropolishing Quality Control Methods - Our manufacturing facilities operate under an approved ISO 9001 quality standard. Wall thickness integrity is maintained with fabrication grade minimum wall tubing for all cold-formed tubular products. Our BPE fittings are designed for use with all current orbital welding equipment. After cold forming, our tube product is resized to ensure that the ovality falls within the prescribed BPE tolerances. End facing is provided with a machined square-cut method. This allows for the most accurate and consistent orbital weld result. All fittings are put through 100% visual inspection and ovality and squareness tolerances are inspected with calibrated equipment. Surface finish is inspected with a calibrated profilometer to ensure the Roughness average (Ra) maximum is not exceeded. Hygienic fittings identified with this symbol on the following pages are accepted as meeting the 3A Hygienic standards by the appropriate committees of the International Association of Milk, Food and Environmental Sanitarians, U.S. Public Health Service, and Dairy Industry Committee.

### Surface specification for Alfa Laval Hygienic range

#### Hygienic tubes

Alfa Laval designation	Surface texture (Ra $\mu\text{m}$ )			Standard designation	According to	Treatment	Dimension ranges			
	Internal Surface	Welded area	External				EN 10357-A	ISO 2037	BS 4825	Tri-Clover <sup>®</sup> Hygienic
BC	< 0.8	< 1.6	pickled	BC	EN 10357-A	Annealed	X	X	X	
BD	< 0.8	< 1.6	< 1.0	BD	EN 10357-A	Annealed	X	X	X	
CC	< 0.8	< 1.6	pickled	CC	EN 10357-A	Not annealed	X			
CD	< 0.8	< 1.6	< 1.0	CD	EN 10357-A	Not annealed	X			
Tri-Clover <sup>®</sup> Hygienic	< 0.8	< 0.8	< 0.8	No. 4 <sup>1</sup>	3A	Annealed				X

<sup>1</sup> According to 3A 33-01 section D1

#### Hygienic Fittings

Product	Surface designation		Dimension ranges			
	Internal	External	DIN	ISO	BS	Tri-Clover <sup>®</sup> Hygienic
Unions	Mat	Mat	X			
	Semi bright	Semi bright	X	X	X	
	Mirror	Mirror				
	3A	3A				X
Bends	Mat	Mat	X			
	Raw	Raw			X	
	Raw	Semi bright	X			
	Raw	Polished	X	X		
	Semi bright	Semi bright		X		
	Polished	Polished			X	
	Mirror	Mirror				
Tees	3A	3A				X
	Mat	Mat	X			
	Raw	Raw			X	
	Polished	Polished	X	X	X	
	Mirror	Mirror				
Reducers	3A	3A				X
	Mat	Mat	X			
	Raw	Semi bright	X			
	Raw	Polished		X	X	
	Semi bright	Semi bright		X		

#### Explanation of surface designation for fittings

Alfa Laval designation	Surface texture (Ra $\mu\text{m}$ )		Method
	Internal	Bended area	
Mat	< 1.6	Not spec.	Shot Blasted
Raw	< 0.8 <sup>1</sup>	Not spec.	As fabricated or tumbled
Semi bright	< 0.8	Not spec.	As fabricated or tumbled

<sup>1</sup> Not guaranteed in welds

Alfa Laval designation	Surface texture (Ra $\mu\text{m}$ )		Method
	Internal	Banded area	
Polished	< 0.8	Not spec.	Mechanically polished
Mirror	< 0.8	Not spec.	Mechanically polished and buffed for a shiny surface
3A	< 0.8	< 0.8	Mechanically polished or as fabricated

<sup>1</sup> Not guaranteed in welds

## Surface specification for Alfa Laval Tri-Clover® UltraPure range

### UltraPure tubes and fittings

Alfa Laval designation	Surface texture (Ra $\mu\text{m}$ )			Standard designation		According to	Treatment	Tri-Clover® UltraPure ASME-BPE
	Internal	Welded / Banded area	External	Tubular	Machined			
PL	< 0.5	< 0.5	< 0.8	SF1	SF1	ASME BPE	Annealed	X
PM	< 0.38 EP <sup>1</sup>	< 0.38 EP <sup>1</sup>	< 0.8	SF4	SF4	ASME BPE	Annealed	X

<sup>1</sup> Electro polished

## Conversion table - Surface finish

### Correlation between Grit and Ra values

Ra ( $\mu\text{m}$ )	Ra ( $\mu$ inch)	US Grit	UK Grit
3	125		120
2	85		180
1.65	70	80	
1.5	50		240
0.75	30		320
0.62	25	180	
0.45	18	240	
0.40	15		500
0.25	10	320	

## Material specification for Alfa Laval Hygienic range

### Wetted steel parts

Material	Dimension ranges			
	EN 10357-A	ISO 2037	BS 4825	Tri-Clover® Hygienic
1.4301 <sup>1</sup> (304)	X	X		
1.4307 <sup>1</sup> (304L)	X	X	X	
1.4401 <sup>1</sup> (316)			2	
1.4404 <sup>1</sup> (316L)	X	X	X	
304 <sup>3</sup>				X
316L <sup>3</sup>				X

<sup>1</sup> According to DIN EN 10088-1

<sup>2</sup> Reducing tees are only available in 1.4401 (316)

<sup>3</sup> According to ASTM A 269 and A 270

### Seal ring material for clamp fittings

Material	Dimension ranges			
	EN 10357-A	ISO 2037	BS 4825	Tri-Clover® Hygienic
NBR	X	X	X	
Nitrile (Buna-N)				X
White Nitrile (White Buna-N)				X
EPDM	X	X	X	X
FPM	X	X	X	
Viton®				X
PTFE	X	X	X	X
Silicone (Q)	X	X		X

## Material specification for Alfa Laval Tri-Clover® UltraPure range

### Wetted steel parts

Material	Dimension ranges
	Tri-Clover® UltraPure ASME-BPE
316L <sup>1</sup>	X

<sup>1</sup> According to ASTM A 269 and A 270 S2. All Tri-Clover® UltraPure ASME BPE weld ends are also according to ASME BPE sulphur content 0.005-0.017%

### Gasket material in fittings

Material	Dimension ranges
	Tri-Clover® UltraPure ASME-BPE
Nitrile (Buna-N)	X
White Nitrile (White Buna-N)	X
EPDM	X <sup>1</sup>
FPM	
Viton®	X <sup>1</sup>
White Viton®	X
PTFE	X
Silicone (Q)	X <sup>1</sup>

<sup>1</sup> EPDM, Viton and Silicone available with USP Class 6 certificate - please request by order

### Chemical composition table

Material Grade		Chemical composition in % by mass								
Material Number	Standard	C	Si	Mn	P	S	N	Cr	Ni	Mo
1.4404	DIN-EN 10088-1	≤ 0.030	≤ 1.000	≤ 2.00	0.045	≤ 0.015	≤ 0.11	16.50 - 18.50	10.00 - 13.00	2.00 - 2.50
316L	ASTM A 269	≤ 0.035	≤ 0.750	≤ 2.00	0.040	≤ 0.030		16.00 - 18.00	10.00 - 15.00	2.00 - 3.00
316L <sup>1</sup>	ASTM BPE / ASTM A 270 S-2	≤ 0.035	≤ 0.075	≤ 2.00	0.040	0.005 - 0.017		16.00 - 18.00	10.00 - 10.00	2.00 - 3.00

<sup>1</sup> According to ASTM A 269 and A 270 S2. All Tri-Clover® UltraPure ASME BPE weld ends are also according to ASME BPE sulphur content 0.005-0.017%

### Pressure ratings (bar) for Alfa Laval Hygienic range

Material	Dimension ranges			
	DIN	SMS / ISO 2037	BS 4825	Tri-Clover® Hygienic
Tubes (20 °C)	39/355	39/355	56-467 <sup>1</sup>	56-351 <sup>1</sup>
Bends, Tees, Reducers (80 / 200 °C)	40/16	40/16	25/15	25/15
Nut unions (80 / 200 °C)	40/16	40/16	25/15	
Flange unions (80 / 200 °C)	25/16	25/16	25/15	

<sup>1</sup> Tube pressure ratings depending on size (larger diameter smaller pressure rating)

### Pressure ratings (bar) of Tri-Clamp® Connections

Service rating <sup>1</sup> (bar) of Tri-Clamp® Connections							
Size Tube OD	1/2 & 3/4 inch	1 & 1 1/2 inch	2 inch	2 1/2 inch	3 inch	4 inch	6 inch
<b>13MHM</b>	<b>(Wing nut tightened to 2.8 Nm of torque)</b>						
at 20 °C	--	34.5	31.0	27.6	24.1	20.7	10.3
at 120 °C	--	20.7	20.7	13.8	13.4	10.3	5.2
<b>13MHHS</b>	<b>(Wing nut tightened to 2.8 Nm of torque)</b>						
at 20 °C	151.7	41.4	37.9	31.0	24.1	20.7	--
at 120 °C	82.7	20.7	19.0	15.5	12.1	10.3	--
<b>A13MHP</b>	<b>Bolts tightened to 27 Nm of torque</b>						
at 20 °C	--	103	68.9	68.9	68.9	55.1	20.7
at 120 °C	--	82.7	55.2	55.2	55.2	41.4	13.8
<b>A13MHM</b>	<b>(Wing nut tightened to 2.8 Nm of torque)</b>						
at 20 °C	--	34.5	31	27.6	24.1	20.7	10.3
at 120 °C	--	20.7	17.2	13.8	12.1	10.3	5.2

<sup>1</sup> Service ratings are based on hydrostatic tests using standard-molded Buna-N material gaskets, with proper installation of ferrules, assembly of joints and absence of shock pressure. All ratings shown are dependent upon related components within the systems and proper installation. For temperatures above at 120 °C, we recommend using only 13MHP clamps.

## Service Rating of Tri-Clamp® Connections

Service rating <sup>1</sup> (PSI) of Tri-Clamp® Connections							
Size Tube OD	½ & ¾ inch	1 & 1½ inch	2 inch	2½ inch	3 inch	4 inch	6 inch
<b>13MHHM</b>	(Wing nut tightened to 25 in. lb. of torque)						
at 70 °F	--	500	450	400	350	300	150
at 250 °F	--	300	300	200	195	150	75
<b>13MHHS</b>	(Wing nut tightened to 25 in. lb. of torque)						
at 70 °F	2200	600	550	450	350	300	--
at 250 °F	1200	300	275	225	175	150	--
<b>A13MHP</b>	(Bolts tightened to 24 in. lb. of torque)						
at 70 °F	--	1500	1000	1000	1000	800	300
at 250 °F	--	1200	800	800	800	600	200
<b>A13MHM</b>	(Bolts tightened to 20 ft. lb. of torque)						
at 70 °F	--	500	450	400	350	300	150
at 250 °F	--	300	250	200	175	150	75

<sup>1</sup> Service ratings are based on hydrostatic tests using standard-molded Buna-N material gaskets, with proper installation of ferrules, assembly of joints and absence of shock pressure. Contact Tri-Clover® for ratings at higher temperatures. All ratings shown are dependent upon related components within the systems and proper installation. For temperatures above 250 ° F, we recommend using only 13MHP clamps. This information is only valid if Tri-Clover® clamps, ferrules, and gaskets are used.

## Tri-Clamp® Gasket Materials

Characteristic		Buna-N (U)	EPDM (E)	Fluoro- elastomer (SFY)	Silicone (X)	PTFE (G)
Original Physical Properties	Hardness, Shore A	70	70	70	70	---
	Tensile Strength, PSI	1875	1650	1212	1340	---
	Elongation, %	340	317	272	260	---
Temperature Range		-65 to 200 °F	-60 to 300 °F	-20 to 350 °F	-40 to 400 °F	-40 to 200 °F <sup>1</sup>
Resistance	Acid Resistance	Good	Good to Excel	Good to Excel	Poor to Good	Good to Excel
	Alkali Resistance	Fair to Good	Good to Excel	Poor to Good	Poor to Fair	Excellent
	Resistance to Fats/Oils	Good to Excel	Poor	Good to Excel	Poor to Good	Excellent
	Abrasion Resistance	Excellent	Good	Good to Excel	Poor	Fair
	Compression Set Resistance	Good	Fair	Good to Excel	Good to Excel	Cold Flows

<sup>1</sup> Note: PTFE materials tendency to "cold flow" and incompressibility, limit its max. temperature to 200 °F due to possible leaking problems.

## Basic Dimensions of Tri-Clamp®

Connection for Hygienic OD-Tubing			
OD Outer Diameter (inch)	ID Inner Diameter (inch)	Wall Thickness (inch/gauge)	A Ferrule Face (inch)
½	0.37	0.065 / 16 ga.	0.984
¾	0.62	0.065 / 16 ga.	0.984
1	0.87	0.065 / 16 ga.	1.984
1½	1.37	0.065 / 16 ga.	1.984
2	1.87	0.065 / 16 ga.	2.516
2½	2.37	0.065 / 16 ga.	3.047
3	2.87	0.065 / 16 ga.	3.579
4	3.87	0.083 / 14 ga.	4.682

## Hygienic Tube Information

Tube OD	Tube ID	Wall Thickness	Volume	Weight Dry	Weight with Water	Flow (GPM) at a Mean Velocity		
inch	inch	inch	Gal/100 ft	lbs/100 ft	lbs/100 ft	5 fps	7 fps	10 fps
½	0.37	0.065	0.56	30.6	35.3	1.7	2.3	3.4
¾	0.62	0.065	1.57	48.2	61.3	4.7	6.6	9.4
1	0.87	0.065	3.09	65.8	91.5	9.3	13	19
1½	1.37	0.065	7.66	100.9	164.8	23	32	46
2	1.87	0.065	14.27	136.1	255.1	43	60	86
2½	2.37	0.065	22.92	171.2	362.4	69	96	138
3	2.87	0.065	33.6	206.4	486.7	101	141	202
4	3.834	0.083	59.97	351.8	851.9	180	252	360
6	5.782	0.109	136.39	694.7	1832.2	409	573	818
8	7.782	0.109	247.07	930.6	2991.1	741	1038	1482

## Technical Information

### Pipe Schedule and Chemical Composition

#### Schedule 5 Pipe

Size	OD inch	ID inch	Wall Thickness
1/8	0.405	0.335	0.035
1/4	0.540	0.442	0.049
3/8	0.675	0.577	0.049
1/2	0.840	0.710	0.065
3/4	1.500	0.920	0.065
1	1.315	1.185	0.065
1 1/4	1.660	1.530	0.065
1 1/2	1.900	1.770	0.065
2	2.375	2.245	0.065
2 1/2	2.875	2.790	0.083
3	3.500	3.334	0.083
3 1/2	4.000	3.834	0.083
4	4.500	4.334	0.083
5	5.563	5.345	0.109
6	6.625	6.407	0.109
8	8.625	8.407	0.109

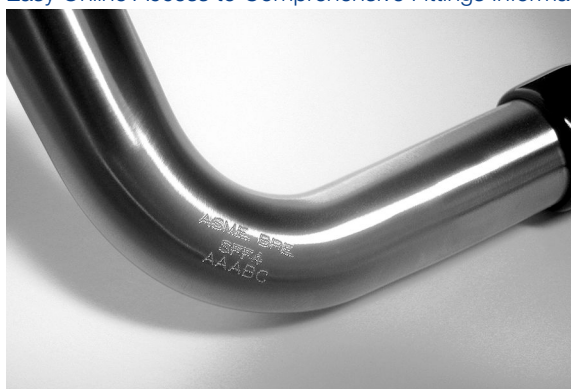
#### Chemical Composition %

	304	316L
C	0.080	0.030
MN	2.000	2.000
P	0.045	0.045
S	0.030	0.030 <sup>1</sup>
Si	1.000	1.000
Cr	18.0-20.0	16.0-18.0
Ni	8.0-13.0	10.0-14.0
Mo	-	2.0-3.0

<sup>1</sup> The sulfur content for 316L ASME BPE fittings is 0.005-0.017% for all weld ends

## Material Test Reports (MTRs)

### Easy Online Access to Comprehensive Fittings Information



A 5-alpha character serial ID is marked on to each new 316SS fitting


As one of the most comprehensive and technologically advanced reports in the market, our new Material Test Reports (MTRs) provide detailed information that takes traceability and validation to a new level. Alfa Laval has established a new standard as all MTRs are available 24 hours a day, 7 days a week online at [www.alfalaval.us](http://www.alfalaval.us).


Simply type a 5-alpha character code (e.g. AAABC) called the serial ID, which you can find stenciled on each new 316SS fitting, to access the following information:

- All heat certification numbers used to manufacture the fitting
- Date the fitting was manufactured
- The fitting's part number and description
- View and print any MTR and the above information

## Connection Types

### Clamp Fittings

 Authorized to carry the 3A symbol

 Authorized to carry the 3A symbol

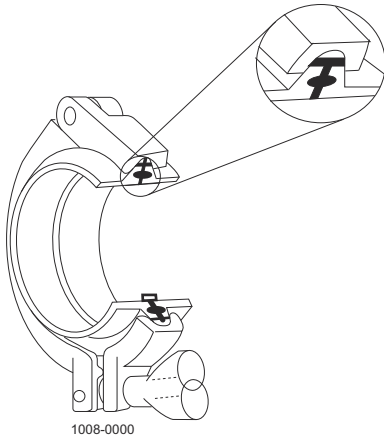


Figure 1. Tri-Clamp

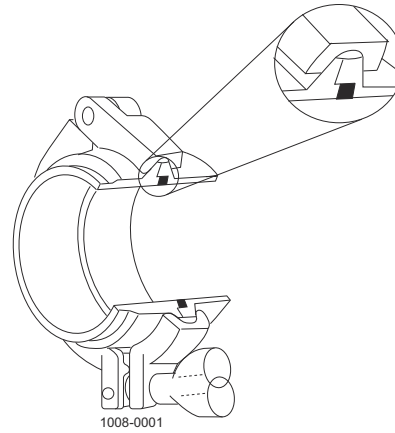


Figure 2. H-Line

A connection is made up of a plain ferrule, a clamp, and a gasket. Tees, elbows and reducers are available with Tri-Clamp connections. All three styles are in compliance with 3A standards for C.I.P. (clean in place). The three types of clamp fittings are designed for use in Food, Dairy, Pharmaceutical and Chemical Industries.

- Tri-Clamp connections are the industry standard, having nueter-style ferrules to simplify design and installation.
- H-Line male/female ferrules self-align during tightening so joints are quick and easy to assemble or take apart.

### Loss of head pressure due to friction. Loss is shown in feet of head. Loss through tubing is for 1 ft of tube

Capacity	1" O.D.			1½" O.D.			2" O.D.			2½" O.D.			3" O.D.			4"			
in U.S.	I.D.	0.902"	I.D.	1.402"	I.D.	1.870"	I.D.	2.370"	I.D.	2.870"	I.D.	3.834"	I.D.	Tubing	Elbow	Tee	Tubing	Elbow	Tee
G.P.M.	Tubing	Elbow	Tee	Tubing	Elbow	Tee	Tubing	Elbow	Tee	Tubing	Elbow	Tee	Tubing	Elbow	Tee	Tubing	Elbow	Tee	
2	0.01	0.01	0.1																
4	0.025	0.02	0.2																
5	0.035	0.025	0.25																
10	0.12	0.06	0.4	0.02	0.01	0.15	0.005	0.015	0.1										
15	0.25	0.1	0.8	0.04	0.02	0.25	0.013	0.02	0.15										
20	0.43	0.22	1.5	0.06	0.03	0.3	0.02	0.025	0.2	0.005	0.02	0.1	0.003	0.02	0.06				
25	0.66	0.4	2.3	0.08	0.04	0.4	0.025	0.03	0.25	0.006	0.03	0.15	0.004	0.03	0.08				
30	0.93	0.7	3.3	0.105	0.06	0.55	0.035	0.05	0.3	0.008	0.05	0.2	0.005	0.04	0.1				
35	1.22	1.25	5.2	0.135	0.09	0.8	0.04	0.06	0.4	0.011	0.06	0.25	0.006	0.05	0.13				
40				0.17	0.11	1.0	0.05	0.08	0.5	0.015	0.07	0.3	0.007	0.06	0.15				
45				0.21	0.16	1.3	0.063	0.1	0.6	0.02	0.09	0.35	0.008	0.065	0.18				
50				0.25	0.2	1.6	0.073	0.12	0.7	0.022	0.1	0.4	0.01	0.07	0.2				
60				0.34	0.35	2.2	0.1	0.18	0.9	0.03	0.12	0.45	0.015	0.08	0.25				
80				0.57	0.76	3.7	0.16	0.3	1.5	0.05	0.15	0.55	0.02	0.1	0.4				
100				0.85	1.35	5.8	0.23	0.44	2.3	0.075	0.18	0.6	0.03	0.11	0.5	0.008	0.04	0.1	
120				1.18	2.05	9.1	0.32	0.64	3.3	0.105	0.21	1.0	0.04	0.13	0.6	0.01	0.05	0.15	
140							0.42	0.85	4.5	0.14	0.23	1.25	0.05	0.16	0.8	0.013	0.06	0.2	
160							0.54	1.13	5.8	0.17	0.28	1.6	0.07	0.2	1.1	0.015	0.07	0.25	
180							0.67	1.45	7.4	0.205	0.31	2.0	0.08	0.21	1.3	0.02	0.08	0.3	
200							0.81	1.82	9.0	0.245	0.35	2.5	0.1	0.26	1.6	0.025	0.09	0.4	
220							0.95	2.22	11.0	0.29	0.41	3.0	0.12	0.3	1.9	0.028	0.1	0.5	
240							1.10	2.63	13.5	0.34	0.48	3.7	0.14	0.33	2.2	0.035	0.11	0.55	
260										0.39	0.53	4.5	0.165	0.39	2.5	0.04	0.115	0.6	
280										0.45	0.61	5.3	0.19	0.42	2.8	0.045	0.12	0.65	
300										0.515	0.7	6.2	0.22	0.5	3.1	0.05	0.13	0.7	
350										0.68	1.05	8.5	0.28	0.67	4.1	0.07	0.15	0.9	
400										0.86	1.55	11.0	0.36	0.88	5.2	0.085	0.18	1.2	
450										1.05	2.25	13.5	0.44	1.1	6.6	0.105	0.2	1.5	
500													0.54	1.4	8.0	0.13	0.23	1.75	
550													0.64	1.7	9.5	0.15	0.27	2.1	
600													0.75	2.05	10.2	0.175	0.3	2.5	
650													0.87	2.41	13.0	0.2	0.34	2.8	

Capacity	O.D.	1"	O.D.	1½"	O.D.	2"	O.D.	2½"	O.D.	3"	O.D.	4"
in U.S.	I.D.	0.902"	I.D.	1.402"	I.D.	1.870"	I.D.	2.370"	I.D.	2.870"	I.D.	3.834"
G.P.M.	Tubing	Elbow	Tee	Tubing	Elbow	Tee	Tubing	Elbow	Tee	Tubing	Elbow	Tee
700										1.0	2.8	15.0
750												0.26
800												0.3
850												0.33
900												0.37
950												0.41
1000												0.45
1100												0.53

**NOTES:**

1. For elbows - R/D=1.5
2. Test medium - water at 70 °F
3. Flow thru tees  
Flow A to B  
Port C capped off

Prepared by members of the Hygienic pump subgroup of the natl. assn. of dairy equipment manufacturers.

**Pressure drop and flow velocity curves**

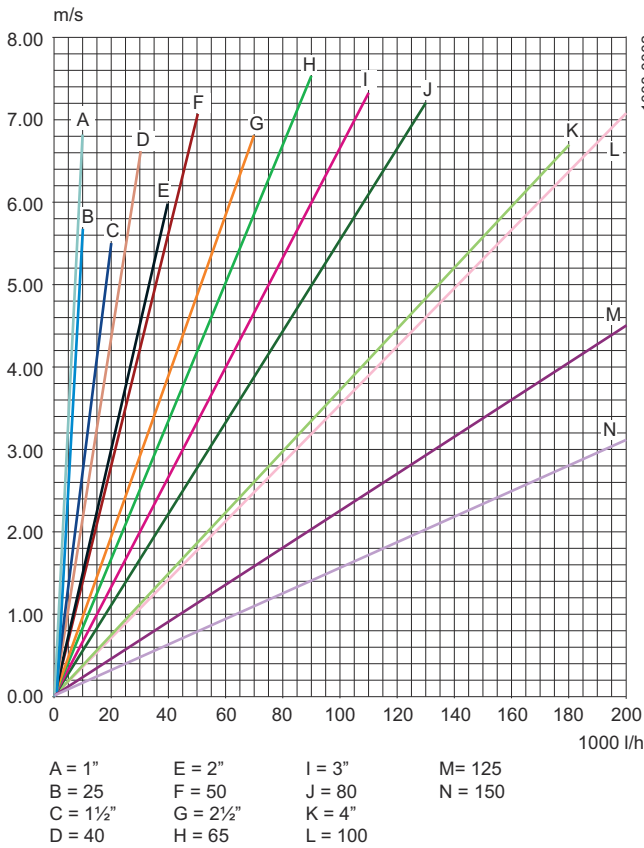


Figure 3. Flow velocity in ISO 2037 and EN 10357-A tubes

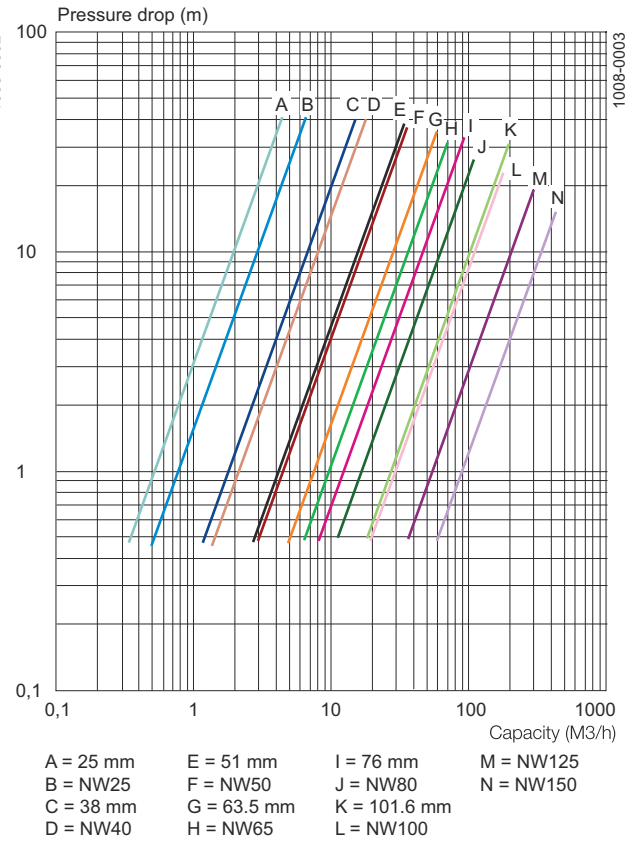


Figure 4. Pressure drop in 100 m ISO 2037 and EN 10357-A tubes



This document and its contents are subject to copyrights and other intellectual property rights owned by Alfa Laval Corporate AB. No part of this document may be copied, re-produced or transmitted in any form or by any means, or for any purpose, without Alfa Laval Corporate AB's prior express written permission. Information and services provided in this document are made as a benefit and service to the user, and no representations or warranties are made about the accuracy or suitability of this information and these services for any purpose. All rights are reserved.

200006866-1-EN-GB

© Alfa Laval Corporate AB

---

**How to contact Alfa Laval**

Up-to-date Alfa Laval contact details for all countries are always available on our website at [www.alfalaval.com](http://www.alfalaval.com)