



## Spare Parts

### ThinkTop V50 and V70



100000341-EN6

2022-01

Original manual

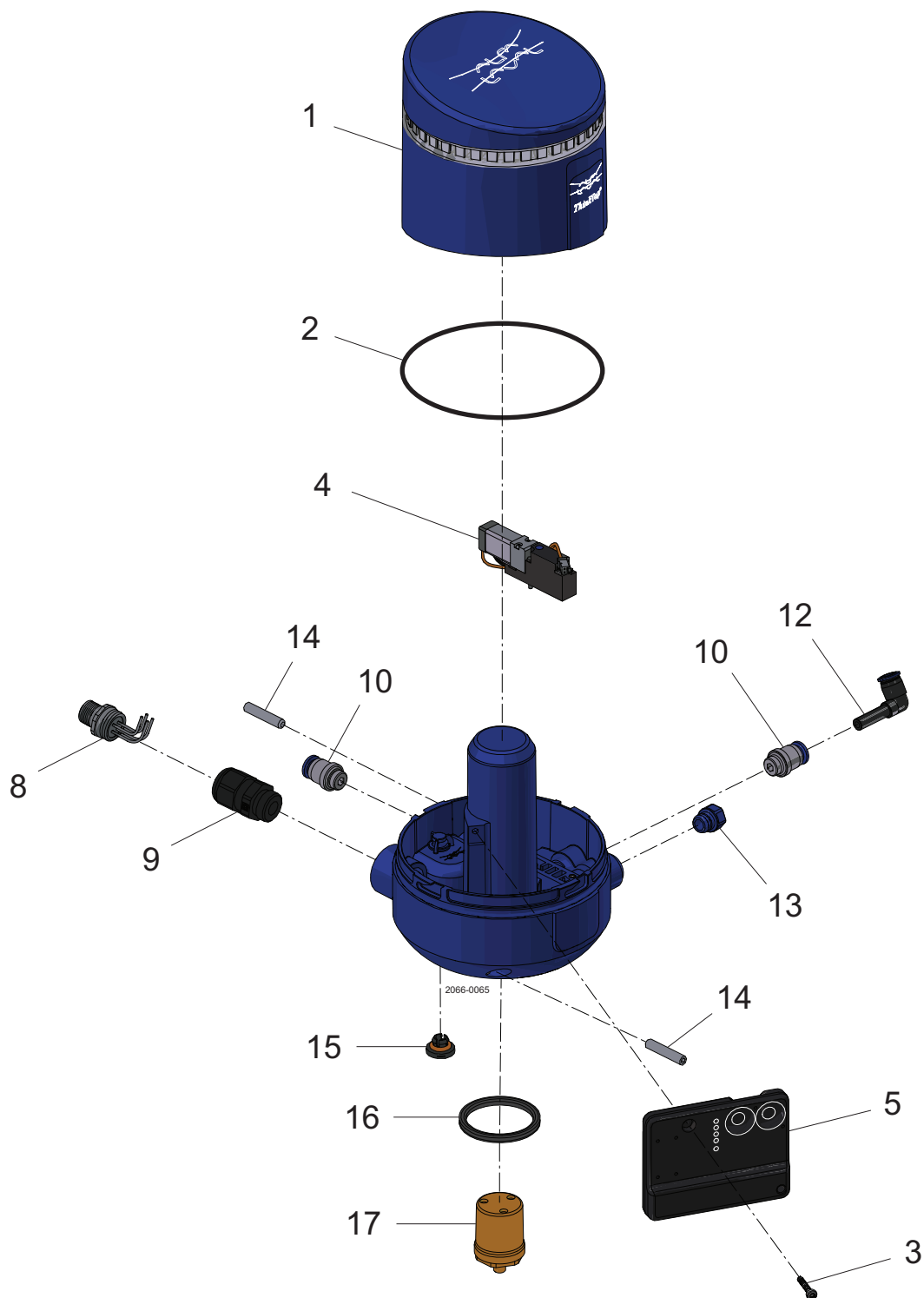


---

*The information herein is correct at the time of issue but may be subject to change without prior notice*

**1. ThinkTop V50 Series ..... 4**

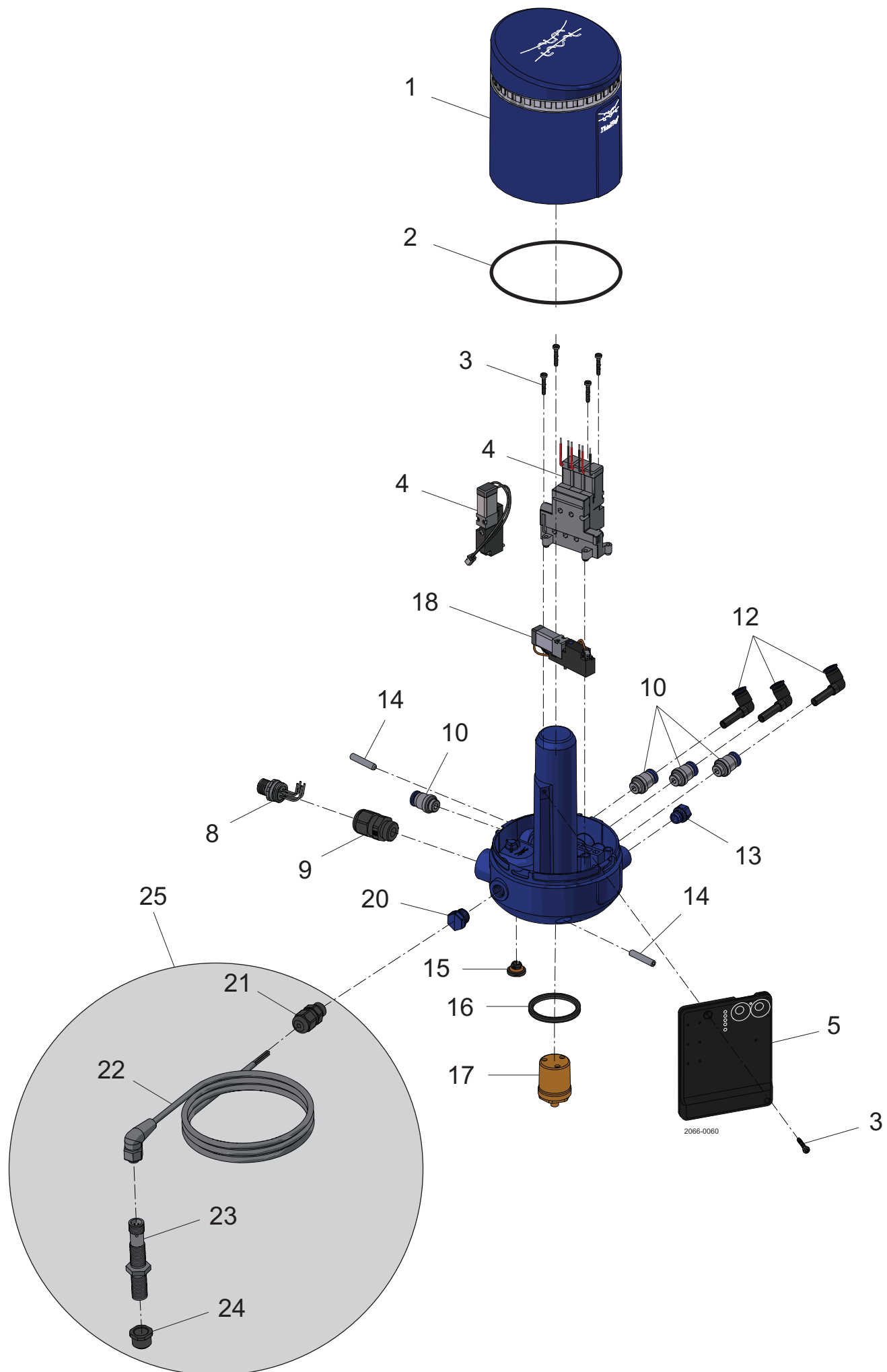
**2. ThinkTop V70 Series ..... 6**



Pos	Qty	Denomination	
<b>50 Series</b>			
1	1	Cover .....	9615376201
2	1	V-ring .....	9615451401
3	1	Screw, Torx 10 .....	9611996072
4	1	Solenoid valve 1x3/2 .....	9615395701
5	1	Control board, 24V Digital .....	9615394901
	1	Control board, AS-I 2.11 (31 node) .....	9615395001
	1	Control board, AS-I 3.0 (62 node) .....	9615395101
	1	Control board, IO-Link .....	9615395201
8	1	M12 plug, AS-I, 4 pins/2 wires, Hex 17 .....	Please see note
	1	M12 plug, IO-Link, 4 pins/3 wires, Hex 17 .....	Please see note
	1	M12 plug, DIO, 8 pins/6 wires, Hex 17 .....	Please see note
9	1	Cable gland, Main entry, Ø4-10mm, Hex 19 .....	Please see note
9.1	1	Cable gland, Main entry, AS-I, Ø3,5-7mm, Hex 19 .....	Please see note
10	2	Air fitting, straight, Ø6mm, Hex 4 .....	Please see note
	2	Air fitting, straight, 1/4", Hex 5 .....	Please see note
12	1	Air fitting, elbow, Ø6mm .....	Please see note
	1	Air fitting, elbow, 1/4" .....	Please see note
13	1	Exhaust plug, Hex 12 .....	9615389001
14	2	Set screw, Hex 2,5 .....	9611996070
15	1	Gore vent .....	9611996065
16	1	X-ring .....	9612569601
17	1	Sensor target .....	9615397601

NOTE: Further information can be found in the product catalogue "Close at Hand", under accessories.

(900729/2)



25 NOTE: Can be found in the Product Catalogue "Close at hand", under accessories.

Pos	Qty	Denomination	
<b>70 Series</b>			
1	1	Cover .....	9615376401
2	1	V-ring .....	9615451401
3	5	Screw, Torx 10 .....	9611996072
4	1	Manifold assembly complete, 3x3/2 .....	9615395301
	1	Manifold assembly complete, 2x3/2 .....	9615395401
	1	Manifold assembly complete, 1x3/2 .....	9615395501
	1	Solenoid valve, 1x3/2 .....	9615395701
5	1	Control board, 24V Digital .....	9615394501
	1	Control board, AS-I 2.11 (31 node) .....	9615394601
	1	Control board, AS-I 3.0 (62 node) .....	9615394701
	1	Control board, IO-Link .....	9615394801
8		M12 plug, AS-I, 4 pins/2 wires, Hex 17 .....	Please see note
		M12 plug, IO-Link, 4 pins/3 wires, Hex 17 .....	Please see note
		M12 plug, DIO, 8 pins/8 wires, Hex 17 (- Feb.2020) .....	Please see note
		M12 plug, DIO, 12 pins/10 wires, Hex 17 (Feb.2020 -) .....	Please see note
9	1	Cable gland, Main entry, Ø4-10mm, Hex 19 .....	Please see note
9.1	1	Cable gland, Main entry, AS-I, Ø3,5-7mm, Hex 19 .....	Please see note
10	4	Air fitting, straight, Ø6mm, Hex 4 .....	Please see note
	4	Air fitting, straight, 1/4", Hex 5 .....	Please see note
12	3	Air fitting, elbow, Ø6mm .....	Please see note
	3	Air fitting, elbow, 1/4" .....	Please see note
13	1	Exhaust plug, Hex 12 .....	9615389001
14	2	Set screw, Hex 2,5 .....	9611996070
15	1	Gore vent .....	9611996065
16	1	X-ring .....	9612569601
17	1	Sensor target .....	9615397601
18	1	Manifold assembly complete, 1x5/2 .....	9615395601
20	1	Blind plug, M12x1,5, Hex 14 .....	9615388901
21	1	Cable gland, seat lift sensor, M12x1,5 .....	Please see note
22	1	Cable for seat lift sensor .....	Please see note
23	1	Seat lift sensor .....	Please see note
24	1	Bushing .....	9614257508
25	1	Seat lift sensor kit, Pos. 21, 22, 23 and 24 .....	Please see note

NOTE: Further information can be found in the product catalogue "Close at Hand", under accosseries.

(900730/3)

**How to contact Alfa Laval**

Contact details for all countries are continually updated on our website.

Please visit [www.alfalaval.com](http://www.alfalaval.com) to access the information directly.

© Alfa Laval Corporate AB

This document and its contents is owned by Alfa Laval Corporate AB and protected by laws governing intellectual property and thereto related rights. It is the responsibility of the user of this document to comply with all applicable intellectual property laws. Without limiting any rights related to this document, no part of this document may be copied, reproduced or transmitted in any form or by any means (electronic, mechanical, photocopying, recording, or otherwise), or for any purpose, without the expressed permission of Alfa Laval Corporate AB. Alfa Laval Corporate AB will enforce its rights related to this document to the fullest extent of the law, including the seeking of criminal prosecution.