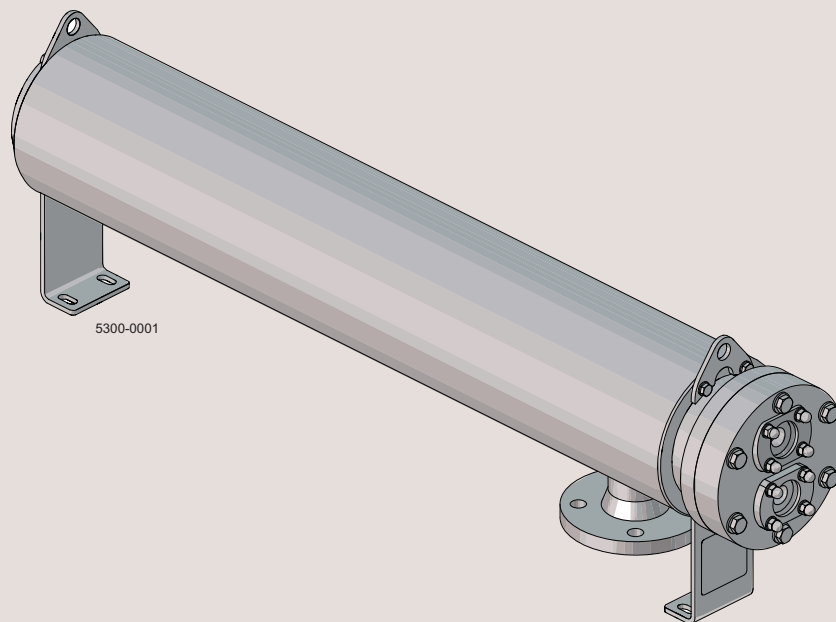




Spare Parts

Alfa Laval Pharma-line S

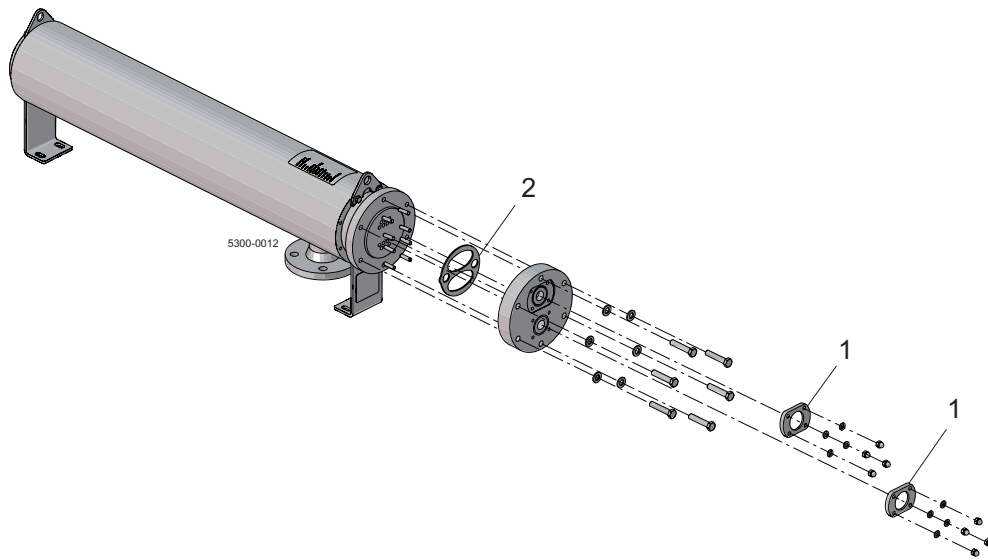


ESE02739-EN0 2014-04

Original manual

The information herein is correct at the time of issue but may be subject to change without prior notice

1. Alfa Laval Pharma-line S 4



Alfa Laval Pharma-line S

Pos	Qty	Denomination	Pharma-line S 1-0.1	Pharma-line S 1-0.3	Pharma-line S 1-0.4	Pharma-line S 2-0.3	Pharma-line S 2-0.6
1	1	Plate flange, 1"/1½" (25/38)	9615012695	9615012695	9615012695	9615012695	9615012695

Pos	Qty	Denomination	Pharma-line S 2-1.0	Pharma-line S 3-0.4	Pharma-line S 3-1.0	Pharma-line S 3-1.6	Pharma-line S 1-0.6
1	1	Plate flange, 1"/1½" (25/38)	9615012695	9615012695	9615012695	9615012695	9615012695

Pos	Qty	Denomination	Pharma-line S 2-1.3	Pharma-line S 3-2.0
1	1	Plate flange 1"/1½" (25/38)	9615012695	9615012695

Pos	Qty	Denomination	Pharma-line S 1-0.7	Pharma-line S 1-1.1	Pharma-line S 1-1.2	Pharma-line S 2-1.4	Pharma-line S 2-2.4
1	1	Plate flange, 2" (51)	9615012696	9615012696	9615012696	9615012696	9615012696

Pos	Qty	Denomination	Pharma-line S 2-2.6	Pharma-line S 3-2.2	Pharma-line S 3-3.7	Pharma-line S 3-4.0
1	1	Plate flange, 2" (51)	9615012696	9615012696	9615012696	9615012696

Pos	Qty	Denomination	Pharma-line S 1-1.01	Pharma-line S 1-0.3	Pharma-line S 1-0.4	Pharma-line S 2-0.3	Pharma-line S 2-0.6
2	1	Gasket PTFE	9615012697	9615012697	9615012697	9615012697	9615012697

Pos	Qty	Denomination	Pharma-line S 2-1.0	Pharma-line S 3-0.4	Pharma-line S 3-1.0	Pharma-line S 3-1.6
2	1	Gasket, PTFE	9615012697	9615012697	9615012697	9615012697

Pos	Qty	Denomination	Pharma-line S 1-0.6	Pharma-line S 2-1.3	Pharma-line S 3-2.0
2	1	Gasket, PTFE	9615012698	9615012698	9615012698

Pos	Qty	Denomination	Pharma-line S 1-0.7	Pharma-line S 1-1.1	Pharma-line S 1-1.2	Pharma-line S 2-1.4	Pharma-line S 2-2.4
2	1	Gasket, PTFE	9615012699	9615012699	9615012699	9615012699	9615012699

Pos	Qty	Denomination	Pharma-line S 2-2.6	Pharma-line S 3-2.2	Pharma-line S 3-3.7	Pharma-line S 3-4.0
2	1	Gasket, PTFE	9615012699	9615012699	9615012699	9615012699

How to contact Alfa Laval

Contact details for all countries are continually updated on our website.

Please visit www.alfalaval.com to access the information directly.

© Alfa Laval Corporate AB

This document and its contents is owned by Alfa Laval Corporate AB and protected by laws governing intellectual property and thereto related rights. It is the responsibility of the user of this document to comply with all applicable intellectual property laws. Without limiting any rights related to this document, no part of this document may be copied, reproduced or transmitted in any form or by any means (electronic, mechanical, photocopying, recording, or otherwise), or for any purpose, without the expressed permission of Alfa Laval Corporate AB. Alfa Laval Corporate AB will enforce its rights related to this document to the fullest extent of the law, including the seeking of criminal prosecution.