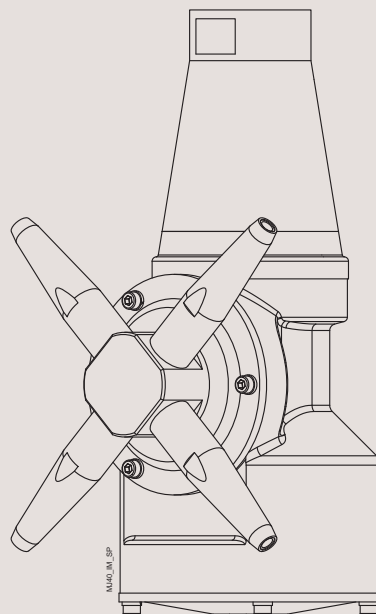




## Spare Parts

### Alfa Laval Toftejorg MultiJet 40



EPS00158-EN3 2018-10

Original manual

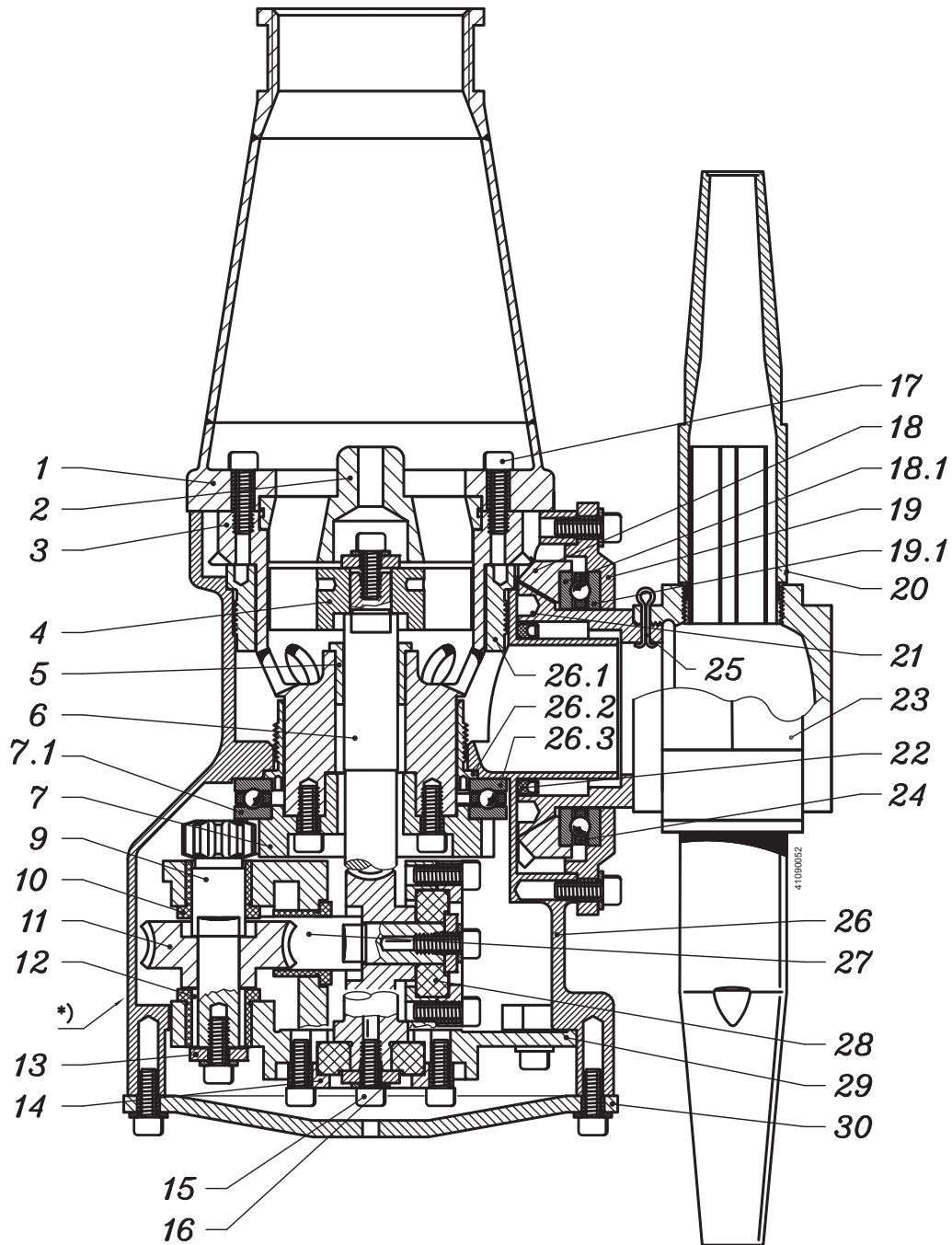


---

*The information herein is correct at the time of issue but may be subject to change without prior notice*

1. Toftejorg MultiJet 40 with 2 nozzles Present version without spray disc on bottom cover Parts drawing and parts list .....	4
2. Toftejorg MultiJet 40 with 4 nozzles Present version without spray disc on bottom cover Parts drawing and parts list .....	6
3. Service intervals and service kits .....	8
4. Tools .....	9
5. Toftejorg MultiJet 40 Previous version with spray disc on bottom cover Parts drawing, parts list and spare part kit .....	10

Toftejorg MultiJet 40 with 2 nozzles  
Present version without spray disc on bottom cover  
Parts drawing and parts list



**Toftejorg MultiJet 40 with 2 nozzles**  
**Present version without spray disc on bottom cover**  
**Parts drawing and parts list**

Pos	Qty	Denomination	Item no.	Material	Remark
1	<input type="checkbox"/>	1 Top Cone, 1½" BSP .....	TE21D502	Stainless steel	Spare part
	<input type="checkbox"/>	1 Top Cone, 1½" NPT .....	TE21D503	Stainless steel	Spare part
2	<input type="checkbox"/>	1 Guide ring, 100% .....	TE703	Stainless steel	Spare part
	<input type="checkbox"/>	1 Guide ring, 50% .....	TE703-50	Stainless steel	Spare part
	<input type="checkbox"/>	1 Guide ring, 0% .....	TE803-0	Stainless steel	Spare part
3		1 Stem .....	TE21B526	Stainless	Spare part
				steel/polymer	
4	<input type="checkbox"/>	1 Impeller, 100% .....	TE705	Stainless steel	Spare part
	<input type="checkbox"/>	1 Impeller, 50% .....	TE705-50	Stainless steel	Spare part
5	◆○	1 Main bush .....	TE21A525	Polymer	Wear part
6	○	1 Turbine shaft .....	TE411K	Stainless steel	Wear part
7		1 Gear wheel w. ball race .....	TE712-13	Stainless steel	Spare part
7.1	○	1 Ball race .....	TE8261	Stainless steel	Wear part
9		1 Pinion .....	TE814	Stainless steel	Spare part
10	◆○	3 Collar bush .....	TE21A585	Polymer	Wear part
11	◆○	1 Worm wheel w. reinforcem. ....	TE21A367	Polymer	Wear part
12		1 Journal .....	TE817	Stainless steel	Spare part
13		4 Washer .....	TE719A	Stainless steel	Spare part
14		2 Bearing cover .....	TE731	Stainless steel	Spare part
15		32 Screw .....	TE118	Stainless steel	Spare part
16		18 Spring washer .....	TE156	Stainless steel	Spare part
17		6 Screw .....	TE402H	Stainless steel	Spare part
18		1 Bevel gear w. ball race .....	TE722S	Stainless steel	Spare part
18.1	○	1 Ball race .....	TE8261	Stainless steel	Wear part
19		1 Hub cover w. ball race .....	TE21M502	Stainless steel	Spare part
19.1	○	1 Ball race .....	TE8261	Stainless steel	Wear part
20	<input type="checkbox"/>	2 Nozzle, ø7 mm .....	TE50A007	Stainless steel	Spare part
	<input type="checkbox"/>	2 Nozzle, ø8 mm .....	TE50A008	Stainless steel	Spare part
	<input type="checkbox"/>	2 Nozzle, ø9 mm .....	TE50A009	Stainless steel	Spare part
	<input type="checkbox"/>	2 Nozzle, ø10 mm .....	TE50A010	Stainless steel	Spare part
21		1 Hub conical part .....	TE21B536	Stainless steel	Spare part
22	◆○	1 Lip seal .....	TE21B549	Polymer	Wear part
23		1 Hub nozzle part .....	TE21B536	Stainless steel	Wear part
24	○	2 Ball retainer w. balls .....	TE21A380	Polymer/stain-	Wear part
				less steel	
25	○	1 Cotter pin .....	TE448	Stainless steel	Wear part
26		1 Body .....		Stainless steel	*Note
26.1	○	1 Main collar upper .....	TE21B520	Polymer	Wear part
26.2	○	1 Main collar lower .....	TE21B521	Polymer	Wear part
26.3	○	1 Ball race .....	TE8261	Stainless steel	Wear part
27	○	1 Horizontal shaft .....	TE828Z	Stainless steel	Wear part
28	◆○	2 Slide bearing .....	TE21A570	Polymer	Wear part
29		1 Gear frame .....	TE730	Stainless steel	Spare part
30		1 Bottom cover, compl., <sup>1)</sup> .....	TE21M501	Stainless steel	Spare part
33	◆○	1 Worm wheel w. reinforcem. ....	TE21A367	Polymer	Wear part

**Spare part kit**

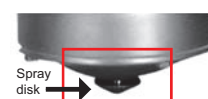
- ◆ **Minor service kit** ..... **TE55H000**
- **Major service kit** ..... **TE55H010**

\*Note: Pos. 26 is not sold as single spare part component. Only sold as part of a machine maintenance/repair order. For further information please contact Alfa Laval Customer Support.

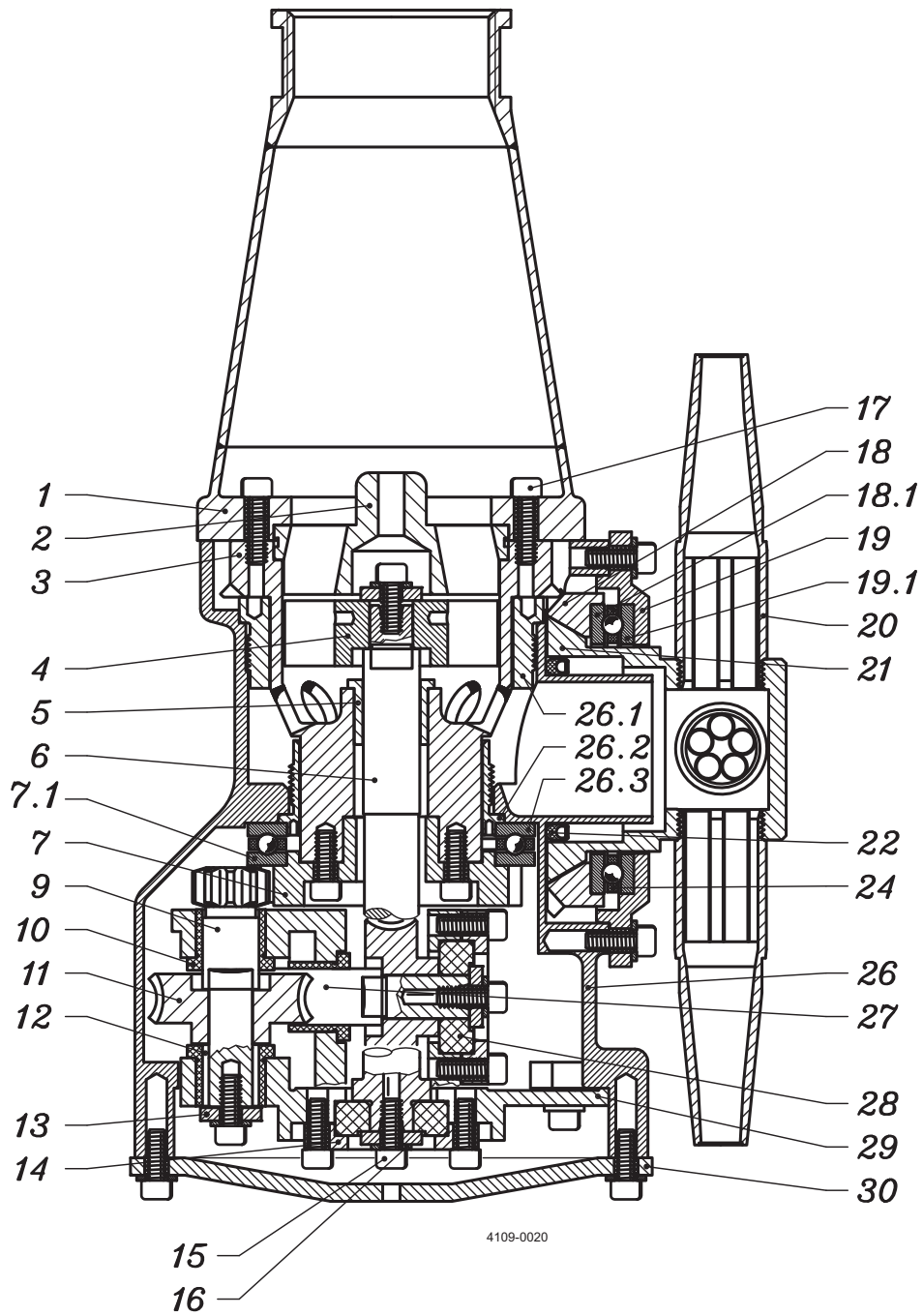
Configuration according to delivery note/order.

Parts marked with ◆ are included in the Minor service kit TE55H000  
 Parts marked with ○ are included in the Major service kit TE55H010

**NOTE<sup>1)</sup>**  
 The MultiJet 40 version can be identified by the bottom cover (pos. 30):  
 Present version: Bottom cover **without** spray disc  
 Previous version: Bottom cover **with** spray disc (depicted to the right)



Toftejorg MultiJet 40 with 4 nozzles  
Present version without spray disc on bottom cover  
Parts drawing and parts list



**Toftejorg MultiJet 40 with 4 nozzles**  
**Present version without spray disc on bottom cover**  
**Parts drawing and parts list**

Pos	Qty	Denomination	Item no.	Material	Remark
1	<input type="checkbox"/>	1 Top Cone, 1½" BSP .....	TE21D502	Stainless steel	Spare part
	<input type="checkbox"/>	1 Top Cone, 1½" NPT .....	TE21D503	Stainless steel	Spare part
2	<input type="checkbox"/>	1 Guide, 100% .....	TE703	Stainless steel	Spare part
	<input type="checkbox"/>	1 Guide ring, 0% .....	TE803-0	Stainless steel	Spare part
3	1	1 Stem .....	TE21B526	Stainless	Spare part
				steel/polymer	
4	1	1 Impeller, 100% .....	TE705	Stainless steel	Spare part
5	<input checked="" type="checkbox"/>	1 Main bush .....	TE21A525	Polymer	Wear part
6	<input type="checkbox"/>	1 Turbine shaft .....	TE411K	Stainless steel	Wear part
7	1	1 Gear wheel w. ball race .....	TE712-13	Stainless steel	Spare part
7.1	<input type="checkbox"/>	1 Ball race .....	TE8261	Stainless steel	Wear part
9	1	1 Pinion .....	TE814	Stainless steel	Spare part
10	<input checked="" type="checkbox"/>	3 Collar bush .....	TE21A585	Polymer	Wear part
11	<input checked="" type="checkbox"/>	1 Worm wheel w. reinforcem. ....	TE21A367	Polymer	Wear part
12	1	1 Journal .....	TE817	Stainless steel	Spare part
13	4	4 Washer .....	TE719A	Stainless steel	Spare part
14	2	2 Bearing cover .....	TE731	Stainless steel	Spare part
15	32	32 Screw .....	TE118	Stainless steel	Spare part
16	18	18 Spring washer .....	TE156	Stainless steel	Spare part
17	6	6 Screw .....	TE402H	Stainless steel	Spare part
18	1	1 Bevel gear w. ball race .....	TE722S	Stainless steel	Spare part
18.1	<input type="checkbox"/>	1 Ball race .....	TE8261	Stainless steel	Wear part
19	1	1 Hub cover w. ball race .....	TE21M502	Stainless steel	Spare part
19.1	<input type="checkbox"/>	1 Ball race .....	TE8261	Stainless steel	Wear part
20	<input type="checkbox"/>	4 Nozzle, ø6 mm .....	TE50A006	Stainless steel	Spare part
	<input type="checkbox"/>	4 Nozzle, ø7 mm .....	TE50A007	Stainless steel	Spare part
	<input type="checkbox"/>	4 Nozzle, ø8 mm .....	TE50A008	Stainless steel	Spare part
21	1	1 Hub .....	TE21C536	Stainless steel	Spare part
22	<input checked="" type="checkbox"/>	1 Lip seal .....	TE21B549	Polymer	Wear part
24	<input type="checkbox"/>	2 Ball retainer w. balls .....	TE21A380	Polymer/stain- less steel	Wear part
26	1	1 Body .....		Stainless steel	*Note
26.1	<input type="checkbox"/>	1 Main collar upper .....	TE21B520	Polymer	Wear part
26.2	<input type="checkbox"/>	1 Main collar lower .....	TE21B521	Polymer	Wear part
26.3	<input type="checkbox"/>	1 Ball race .....	TE8261	Stainless steel	Wear part
27	<input type="checkbox"/>	1 Horizontal shaft .....	TE828Z	Stainless steel	Wear part
28	<input checked="" type="checkbox"/>	2 Slide bearing .....	TE21A570	Polymer	Wear part
29	1	1 Gear frame .....	TE730	Stainless steel	Spare part
30	1	1 Bottom cover, compl., <sup>1)</sup> .....	TE21M501	Stainless steel	Spare part
33	<input checked="" type="checkbox"/>	1 Worm wheel w. reinforcem. ....	TE21A367	Polymer	Wear part

**Spare part kit**

- Minor service kit** ..... **TE55H000**
- Major service kit** ..... **TE55H010**

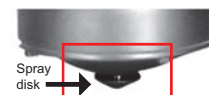
\*Note: Pos. 26 is not sold as single spare part component. Only sold as part of a machine maintenance/repair order. For further information please contact Alfa Laval Customer Support.

Configuration according to delivery note/order.

Parts marked with  are included in the Minor service kit TE55H000

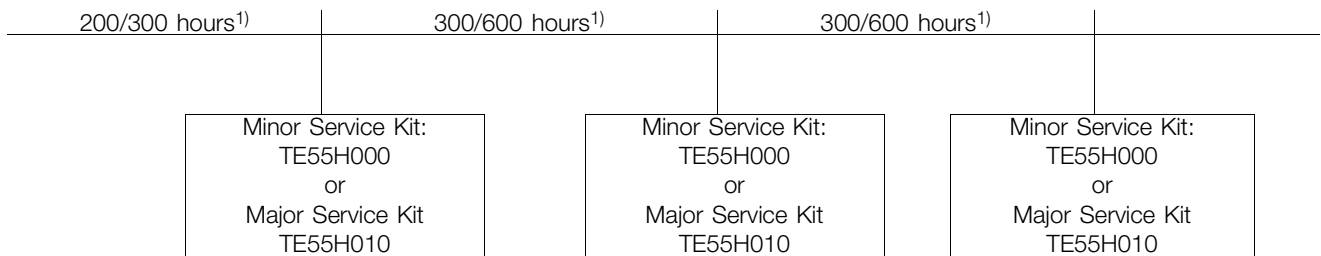
Parts marked with  are included in the Major service kit TE55H010

**NOTE<sup>1)</sup>**  
 The MultiJet 40 version can be identified by the bottom cover (pos. 30):  
 Present version: Bottom cover **without** spray disc  
 Previous version: Bottom cover **with** spray disc (depicted to the right)



### 3 Service intervals and service kits

#### Service Intervals



<sup>1)</sup> The service intervals depend on the application and use of the tank cleaning machines. In applications/processes using cleaning water with few particles, the recommendation for service intervals can be set to 600 hours. However, we recommend the first service check/interval after 300 hours. In applications/processes with particles, Alfa Laval recommend service intervals after 300 hours. In applications/processes with heavy particles, Alfa Laval recommend the first service interval after 200 hours.

#### Service Kit Minor for Toftejorg MultiJet 40 Article No. TE55H000

Pos.	Qty.	Denomination	Item no.
5	1	Main bush	TE21A525
10	3	Collar bush	TE21A585
11	1	Worm wheel w. reinforcement	TE21A367
33	1	Worm wheel w. reinforcement	TE21A367
22	1	Lip seal	TE21B549
28	2	Slide bearing	TE21A570
	3	Locking wire <sup>*)</sup>	TE651

<sup>\*)</sup> Locking wire not used for MultiJet 40

#### Service Kit Major for Toftejorg MultiJet 40 Article No. TE55H010

Pos.	Qty.	Denomination	Item no.
6	1	Turbine shaft	TE411K
7.1	1	Ball race	TE8261
18.1	1	Ball race	TE8261
19.1	1	Ball race	TE8261
26.3	1	Ball race	TE8261
24	2	Ball retainer w. balls	TE21A380
25	1	Split pin <sup>**)</sup>	TE448
26.1	1	Main collar upper	TE21B520
26.2	1	Main collar lower	TE21B521
27	1	Horizontal shaft	TE828Z
	1	Service Kit Minor	TE55H000

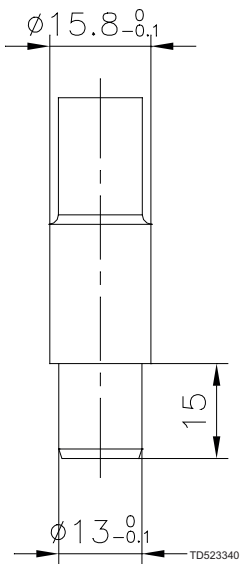
<sup>\*\*)</sup> Only used with 2 nozzle hub



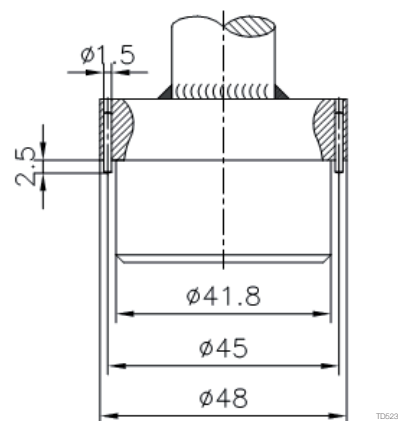
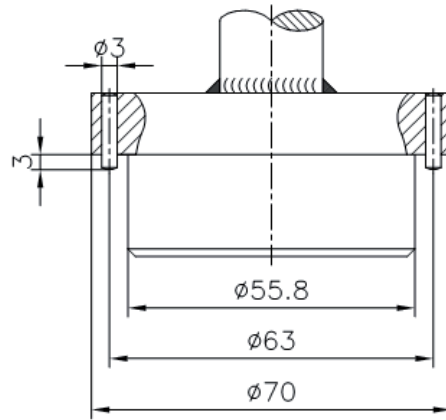
Pos	Qty	Denomination	Tool item no.
		Standard Tool kit for Toftejorg MultiJet 40 .....	TE81B055
<b>Consisting of:</b>			
	1	Hex Key for Screw .....	TE134
	2	Hex Screwdriver for Screw .....	TE134A
	1	Socket wrench for Hex Screw .....	TE462A
Available on request:			
	1	Pusher for Collar bush, 1½" .....	TE81B033

**Sketch of tools for replacement of Collars bush:**

TE81B033: Pusher for Collar bush



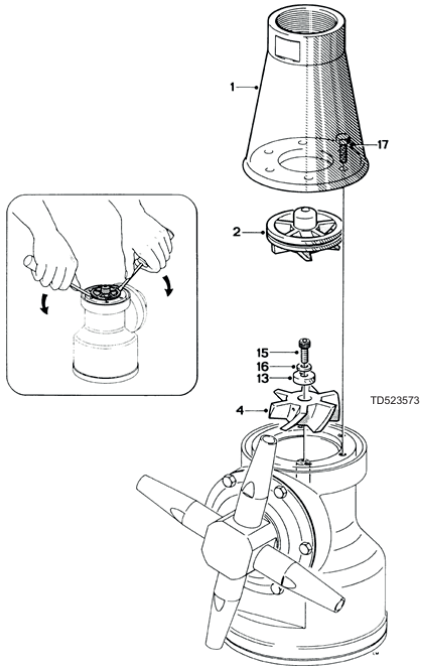
**Sketch of tools for replacement of Main collars:**



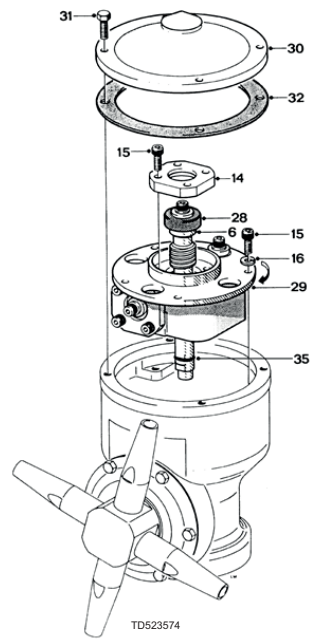
**Toftejorg MultiJet 40**  
**Previous version with spray disc on bottom cover**  
**Parts drawing, parts list and spare part kit**

*Not manufactured anymore*

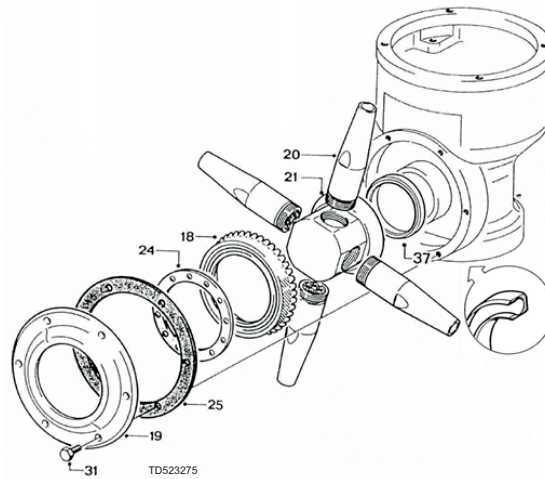
Top assembly



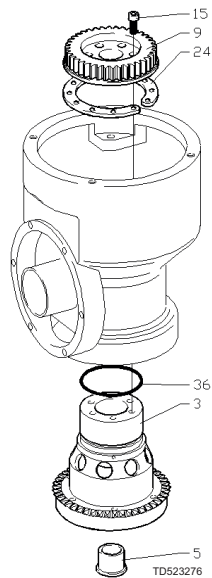
Bottom assembly



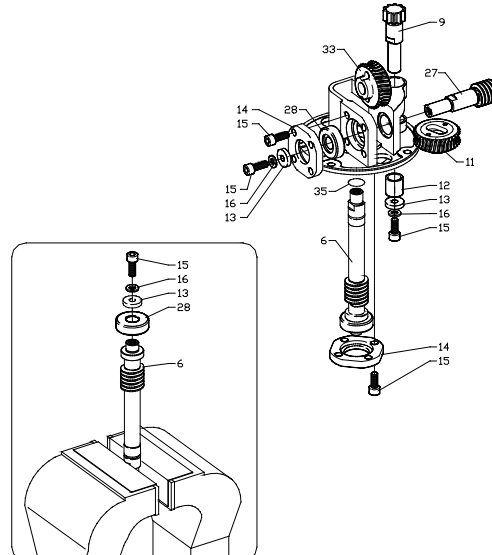
Hub assembly



Stem assembly



Gear assembly

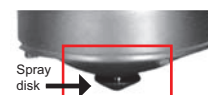


**Toftejorg MultiJet 40**  
**Previous version with spray disc on bottom cover**  
**Parts drawing, parts list and spare part kit**

Pos	Qty	Denomination	Item no.	Material	Remark
1	□	1 Top Cone 1½" BSP .....	TE21D502	Stainless steel	Spare part
	□	1 Top Cone 1½" NPT .....	TE21D503	Stainless steel	Spare part
2	□	1 Guide 100% .....	TE703	Stainless steel	Spare part
	□	1 Guide ring 0% .....	TE8030	Stainless steel	Spare part
3		1 Stem .....	TE21D557	Stainless steel	Spare part
4		1 Impeller 100% .....	TE705	Stainless steel	Spare part
5		1 Main bush .....	TE21A525	Hard-wearing	Wear part
6		1 Turbine shaft .....	TE21F503	plastic matr. Stainless steel	Wear part
7		1 Gear wheel w. ball race .....	TE71213	Stainless steel	Spare part
7.1		1 Ball race .....	TE8261	Stainless steel	Wear part
9		1 Pinion .....	TE814	Stainless steel	Spare part
10	3	Collar bush .....	TE21A585	Hard-wearing	Wear part
11	1	Worm wheel w. reinforcem. ....	TE21A367	plastic matr. Hard-wearing	Wear part
12	1	Journal .....	TE817	plastic matr. Stainless steel	Spare part
13	4	Washer .....	TE719A	Stainless steel	Spare part
14	2	Bearing cover .....	TE731	Stainless steel	Spare part
15	22	Screw .....	TE118	Stainless steel	Spare part
16	8	Spring washer .....	TE156	Stainless steel	Spare part
17	6	Screw .....	TE402H	Stainless steel	Spare part
18	1	Bevel gear w. ball race .....	TE722S	Stainless steel	Spare part
18.1	1	Ball race .....	TE8261	Stainless steel	Wear part
19	1	Hub cover w. ball race .....	TE21D343	Stainless steel	Spare part
19.1	1	Ball race .....	TE8261	Stainless steel	Wear part
20	□	4 Nozzle ø6 mm .....	TE50A006	Stainless steel	Spare part
	□	4 Nozzle ø7 mm .....	TE50A007	Stainless steel	Spare part
	□	4 Nozzle ø8 mm .....	TE50A008	Stainless steel	Spare part
21	1	Hub .....	TE21C536	Stainless steel	Spare part
24	2	Ball retainer w. balls .....	TE21A380	Plastic	Wear part
25	1	Hub gasket .....	TE21D562	matr./stainless steel	Spare part
26	1	Body .....		Teflon TFM	Spare part
26.1	1	Main collar upper .....	TE21D558	Stainless steel	*Note
26.2	1	Main collar lower .....	TE21B521	Plastic matr.	Wear part
26.3	1	Ball race .....	TE8261	Stainless steel	Wear part
27	1	Horizontal shaft .....	TE828Z	Stainless steel	Wear part
28	2	Slide bearing .....	TE21A570	Plastic matr.	Wear part
29	1	Gear frame .....	TE730	Stainless steel	Spare part
30	1	Bottom cover, compl., <sup>1)</sup> .....	TE21D351	Stainless steel	Spare part
31	10	Screw .....	TE421H	Stainless steel	Spare part
32	1	Bottom gasket .....	TE21D563	Teflon TFM	Spare part
33	1	Worm wheel w. reinforcem. ....	TE21A367	Hard-wearing	Wear part
34	1	O-ring .....	TE807	plastic Viton	Wear part
35	1	O-ring .....	TE810	Viton	Wear part
36	1	O-ring .....	TE825	Viton	Wear part
37	1	Lip seal .....	TE21B549	Plastic matr.	Wear part

\*Note: Pos. 26 is not sold as single spare part component but only as part of a machine maintenance/repair order.  
For further information please contact Alfa Laval Customer Support.

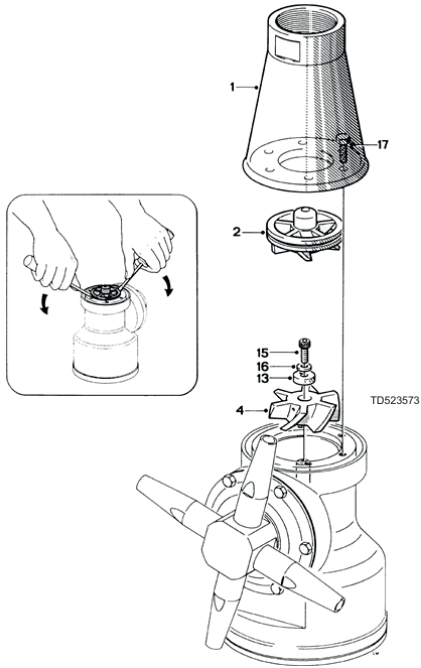
**NOTE<sup>1)</sup>**  
The MultiJet 40 version can be identified by the bottom cover (pos. 30):  
Present version: Bottom cover **without** spray disc  
Previous version: Bottom cover **with** spray disc (depicted to the right)



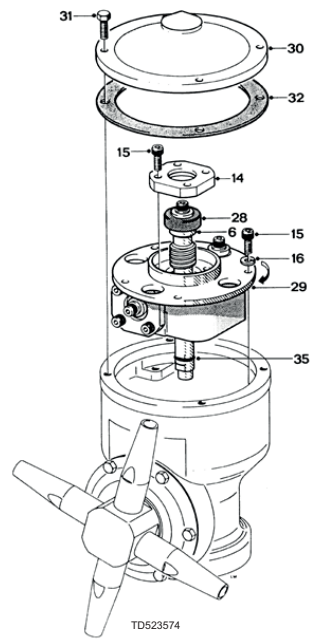
Toftejorg MultiJet 40  
 Previous version with spray disc on bottom cover  
 Parts drawing, parts list and spare part kit

*Not manufactured anymore*

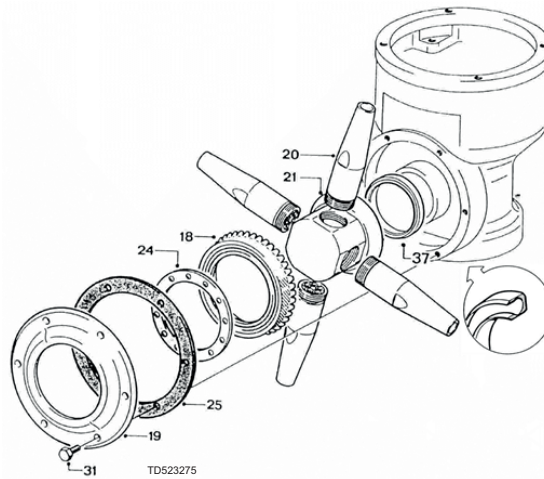
Top assembly



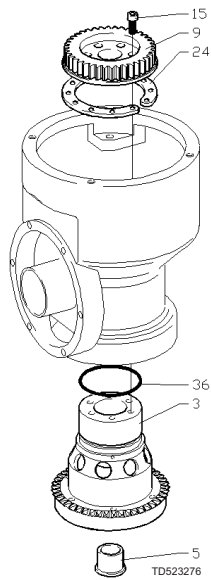
Bottom assembly



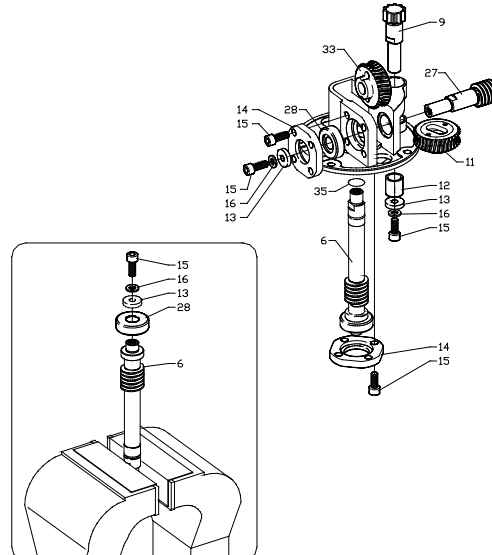
Hub assembly



Stem assembly



Gear assembly



**Toftejorg MultiJet 40**  
**Previous version with spray disc on bottom cover**  
**Parts drawing, parts list and spare part kit**

Pos	Qty	Denomination	Item no.
		Service kit .....	TE21D297
<b>Consisting of:</b>			
5	1	Main bush, PEEK .....	TE21A525
10	3	Collar bush, PEEK .....	TE21A585
11	1	Worm wheel, PEEK .....	TE21A367
28	2	Slide bearing, PEEK .....	TE21A570
33	1	Worm wheel, PEEK .....	TE21A367
34	1	O-ring .....	TE807
35	1	O-ring .....	TE810
36	1	O-ring .....	TE825
37	1	Lip Seal .....	TE21B549

**How to contact Alfa Laval**

Contact details for all countries are continually updated on our website.

Please visit [www.alfalaval.com](http://www.alfalaval.com) to access the information directly.

© Alfa Laval Corporate AB

This document and its contents is owned by Alfa Laval Corporate AB and protected by laws governing intellectual property and thereto related rights. It is the responsibility of the user of this document to comply with all applicable intellectual property laws. Without limiting any rights related to this document, no part of this document may be copied, reproduced or transmitted in any form or by any means (electronic, mechanical, photocopying, recording, or otherwise), or for any purpose, without the expressed permission of Alfa Laval Corporate AB. Alfa Laval Corporate AB will enforce its rights related to this document to the fullest extent of the law, including the seeking of criminal prosecution.