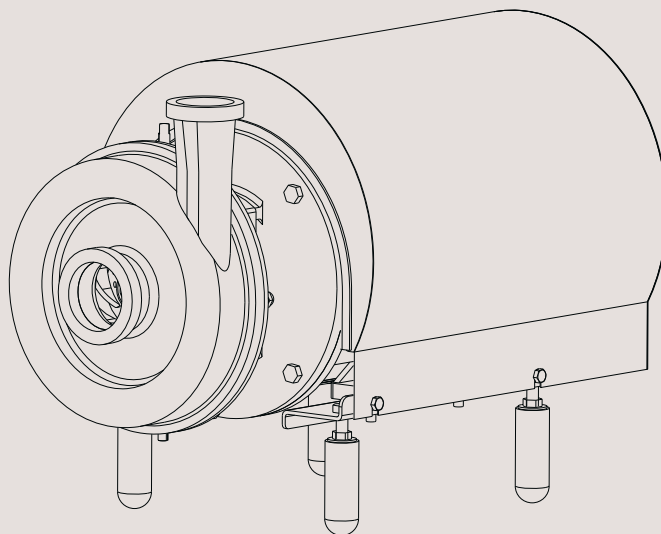




## Spare Parts

### Alfa Laval i-CP2000 Centrifugal Pump



ESE00888-EN7 2021-07

Original manual



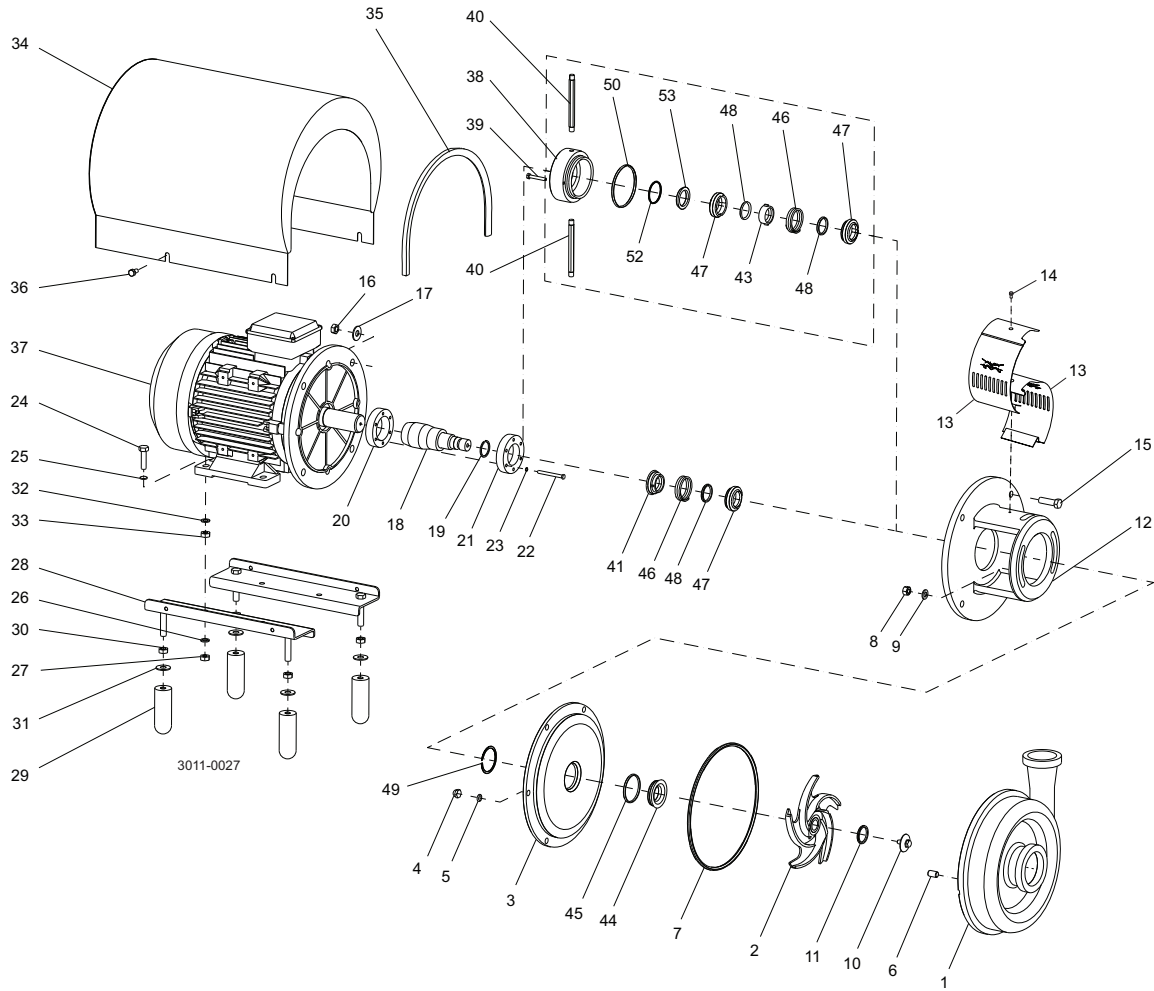
---

*The information herein is correct at the time of issue but may be subject to change without prior notice*

**1. Alfa Laval i-CP2000 Centrifugal Pump ..... 4**

# Alfa Laval i-CP2000 Centrifugal Pump

DMSS = Double Mechanical Shaft Seal



# Alfa Laval i-CP2000 Centrifugal Pump

Wet end

Pos	Qty	Denomination	i-CP2010 1.5-4kW	i-CP2020 1.5-7.5kW	i-CP2025 4-15kW	i-CP2035 4-15kW	i-CP2040 7.5-22kW	i-CP2050 5.5-22kW
<b>Shot blasted Ra ≤ 1.6 µm</b>								
1	1	Pump casing connection ...						
	1	SMS .....	9613477601	9613477605	9613477609	9613477613	9613477617	9613477621
	1	Clamp ISO 2037 .....	9613477602	9613477606	9613477610	9613477614	9613477618	9613477622
	1	DIN .....	9613477603	9613477607	9613477611	9613477615	9613477619	9613477623
	1	Union ISO (IDF) .....	9613477604	9613477608	9613477612	9613477616	9613477620	9613477624
<b>Shot blasted Ra ≤ 1.6 µm 45 outlet 1/2" drain</b>								
	1	Pump casing connection ...						
	1	SMS .....	9613480801	9613480805	9613480809	9613480813	9613480817	9613480821
	1	Clamp ISO 2037 .....	9613480802	9613480806	9613480810	9613480814	9613480818	9613480822
	1	DIN .....	9613480803	9613480807	9613480811	9613480815	9613480819	9613480823
	1	Union ISO (IDF) .....	9613480804	9613480808	9613480812	9613480816	9613480820	9613480824
<b>Shot blasted Ra ≤ 1.6 µm</b>								
2	1	Impeller .....	9612131202	9612131402	9612425202	9612434102	9612131802	9612132002
3	1	Backplate .....	9613479601	9613479602	9613479603	9613479603	9613479604	9613479604
10	1	Impeller screw .....	9612139601	9612139601	9612139601	9612139601	9612139601	9612139601
<b>Polished Ra ≤ 0.8 µm</b>								
1	1	Pump casing connection ...						
	1	SMS .....	9613477625	9613477629	9613477633	9613477637	9613477641	9613477645
	1	Clamp ISO 2037 .....	9613477626	9613477630	9613477634	9613477638	9613477642	9613477646
	1	DIN .....	9613477627	9613477631	9613477635	9613477639	9613477643	9613477647
	1	Union ISO (IDF) .....	9613477628	9613477632	9613477636	9613477640	9613477644	9613477648
<b>Polished Ra ≤ 0.8 µm 45 outlet 1/2" drain</b>								
	1	Pump casing connection ...						
	1	SMS .....	9613480825	9613480829	9613480833	9613480837	9613480841	9613480845
	1	Clamp ISO 2037 .....	9613480826	9613480830	9613480834	9613480838	9613480842	9613480846
	1	DIN .....	9613480827	9613480831	9613480835	9613480839	9613480843	9613480847
	1	Union ISO (IDF) .....	9613480828	9613480832	9613480836	9613480840	9613480844	9613480848
<b>Polished Ra ≤ 0.8 µm</b>								
2	1	Impeller .....	9612131206	9612131406	9612425206	9612434106	9612131806	9612132006
3	1	Backplate .....	9613479605	9613479606	9613479607	9613479607	9613479608	9613479608
10	1	Impeller screw .....	9612139603	9612139603	9612139603	9612139603	9612139603	9612139603
4	6	Cap nut .....	9611992592	9611992592	9611992593	9611992593	9611992593	9611992593
5	6	Washer .....	9611992302	9611991888	9611991887	9611991887	9611991887	9611991887
6	6	Bolt .....	9611992168	9611992168	9611992169	9611992169	9611992169	9611992169
7	□♦○★	1 O-ring pump casing, EPDM						
		1 O-ring pump casing, NBR ..						
		1 O-ring pump casing, FPM ..						
		1 O-ring pump casing, FEP ..						
8	2	Nut .....	9611990353	9611990353	9611990353	9611990353	9611990353	9611990353
9	2	Washer .....	9611992559	9611992559	9611992559	9611992559	9611992559	9611992559
11	□♦○★	1 O-ring impeller screw, EPDM .....						
		1 O-ring impeller screw, NBR ..						
		1 O-ring impeller screw, FPM ..						
		1 O-ring impeller screw, FEP ..						



# Alfa Laval i-CP2000 Centrifugal Pump

## Motor depended parts

Pos	Qty	Denomination	1.5 kW	2.2 kW	3 kW	4 kW	5.5 kW
37	1	Motor, (3000 rpm) .....	9615212801	9615212802	9615212803	9615212804	9615212805

Pos	Qty	Denomination	7.5 kW	11 kW	15 kW	18.5 kW	22 kW
37	1	Motor, (3000 rpm) .....	9615212806	9615212807	9615212808	9615212809	9615212810

Pos	Qty	Denomination	1.5-2.2 kW	3 kW	4 kW	5.5-7.5 kW
12	1	Adaptor .....	9613479001	9613479002	9613479002	9613479003
13	1	Safety guard set .....	9614077401	9614077402	9614077402	9614077403
14	1	Screw for safety guard .....	9611993239	9611993239	9611993239	9611993239
15	4	Screw for adaptor .....	9611992161	9611991834	9611991834	9611992162
16	4	Nut for adaptor .....	9611990353	9611990587	9611990587	9611990587
17	4	Washer for adaptor .....	9611991887	9611990676	9611990676	9611990676
18	1	Shaft .....	9613481401	9613481501	9613481501	9613481601
19	1	Seeger circlip .....	9611992307			
20	1	Compression ring with thread .....	9612133601	9612133602	9612133602	9612133605
21	1	Compression ring without thread .....	9612133701	9612133702	9612133702	9612133705
22	6	Screw .....	9611993196	9611993196	9611993196	9611993197
23	6	Washer .....	9611993199	9611993199	9611993199	9611993199

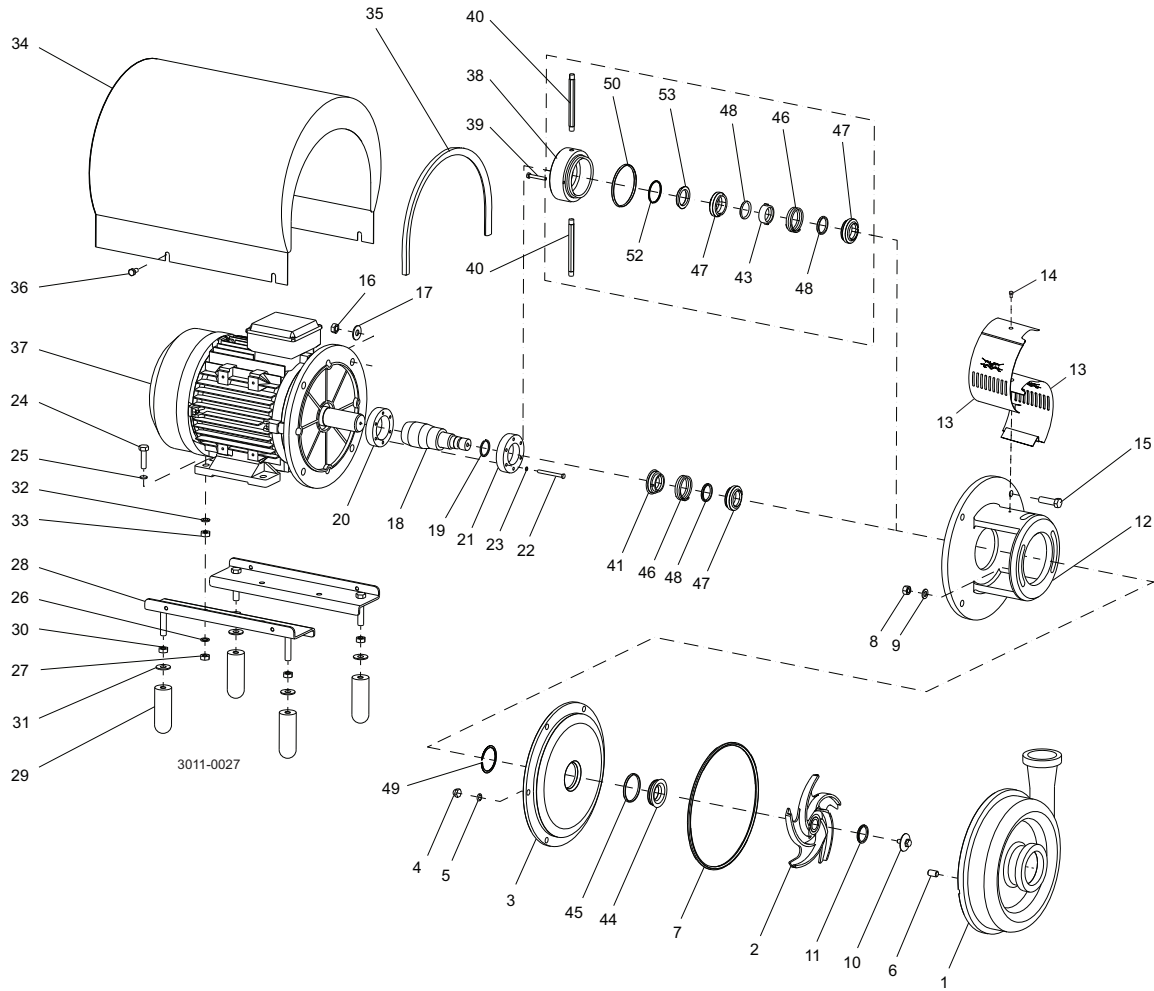
### Legs

24	4	Screw for legs .....	9611993241	9611991374	9611991374	9611991911
25	4	Washer for legs .....		9611990786	9611990786	9611990786
26	4	Spring washer, legs .....	9611991888	9611991887	9611991887	9611991887
27	4	Nut for legs .....	9611990360	9611990353	9611990353	9611990353
28	2	Bracket .....	9612917401	9612917402	9612917403	9612917404
29	4	Legs .....	3146012481	3146012481	3146012481	3146012481
30	4	Nut for legs .....	9611991829	9611991829	9611991829	9611991829
31	4	Washer for legs .....	3146001041	3146001041	3146001041	3146001041
32	4	Nut .....		9611990587		
33	4	Washer for legs .....		3146001041		
34	1	Shroud compl .....	9613478401	9613478402	9613478403	9613478404
35	1	Edgelist (Incl.in pos.2) .....	9612133810	9612133811	9612133812	9612133813
36	4	Screw .....	9611993240	9611993240	9611993240	9611993240

Pos	Qty	Denomination	11-15 kW	18.5 kW	22 kW
12	1	Adaptor .....		9613479004	9613479004
13	1	Safety guard set .....		9614077404	9614077404
14	1	Screw for safety guard .....		9611993239	9611993239
15	4	Screw for adaptor .....		9611992163	9611992164
16	4	Nut for adaptor .....		9611992160	9611992160
17	4	Washer for adaptor .....		9611991886	9611991886
18	1	Shaft .....		9613481701	9613481801
20	1	Compression ring with thread .....		9612133603	9612133604
21	1	Compression ring without thread .....		9612133703	9612133704
22	6	Screw .....		9611993198	9611993198
23	6	Washer .....		9611993199	9611993199

### Legs

24	4	Screw for legs .....		9611991834	9611991834
25	4	Washer for legs .....		9611990706	9611990706
26	4	Spring washer, legs .....		9611990676	9611990676
27	4	Nut for legs .....		9611990587	9611990587
28	2	Bracket .....		9612917405	9612917413
29	4	Legs .....		3146012481	3146012481
30	4	Nut for legs .....		9611991829	9611991829
31	4	Washer for legs .....		3146001041	3146001041
34	1	Shroud compl .....		9613478405	9613478406
35	1	Edgelist (Incl.in pos.2) .....		9612133814	9612133815
36	4	Screw .....		9611993241	9611993243





Shaft seal

Pos	Qty	Denomination	EPDM	NBR	FPM	FEP
<b>Single complete shaft seal</b>						
		□ Single shaft seal, SiC .....				
44	1	Stationary seal ring, SiC .....				
45	1	O-ring .....				
46	1	Spring .....				
47	1	Rotating seal ring, carbon .....				
48	1	O-ring .....				
49	1	Cir-clip .....				
<b>Single complete shaft seal</b>						
		♦ Single complete shaft seal .....				
44	1	Stationary seal ring, SiC .....				
45	1	O-ring .....				
46	1	Spring .....				
47	1	Rotating seal ring, SiC .....				
48	1	O-ring .....				
49	1	Cir-clip .....				
<b>Double mechanical shaft seal</b>						
		○ Double mechanical shaft seal .....				
44	1	Stationary seal ring, SiC .....				
45	1	O-ring .....				
46	1	Spring .....				
47	2	Rotating seal ring, carbon .....				
48	2	O-ring .....				
49	1	Cir-clip .....				
50	1	O-ring for seal housing, EPDM .....				
52	1	O-ring for secondary stat. seal ring, EPDM .....				
53	1	Sec. stationary seal ring .....				
		★ Double mechanical shaft seal .....				
44	1	Stationary seal ring, SiC .....				
45	1	O-ring .....				
46	1	Spring .....				
47	2	Rotating seal ring, SiC .....				
48	2	O-ring .....				
49	1	Cir-clip .....				
50	1	O-ring for seal housing, EPDM .....				
52	1	O-ring for secondary stat. seal ring, EPDM .....				
53	1	Sec. stationary seal ring .....				
<b>Seal housing parts for double mechanical shaft seal</b>						
38	1	Seal housing .....	9613480901	9613480901	9613480901	
39	2	Screw for seal housing .....	9611990203	9611990203	9611990203	
40	2	Flush connections .....	9612358901	9612358901	9612358901	
<b>Drive rings</b>						
41	1	Drive ring single/flushed .....	9613481001	9613481001	9613481001	
43	1	Drive ring double mech. ....	9613481201	9613481201	9613481201	



# Alfa Laval i-CP2000 Centrifugal Pump

		EPDM	NBR	FPM	FEP
<b>Service kit for single shaft seal C/SIC</b>					
□	Service kit, C/SIC (i-CP2010) .....	9611927033	9611927034	9611927035	9611927194
□	Service kit, C/SIC (i-CP2020) .....	9611927061	9611927062	9611927063	9611927195
□	Service kit, C/SIC (i-CP2025/2035) .....	9611927067	9611927068	9611927069	9611927196
□	Service kit, C/SIC (i-CP2040/2050) .....	9611927073	9611927074	9611927075	9611927197
<b>Service kit for single shaft seal SIC/SIC</b>					
◆	Service kit, SIC/SIC (i-CP2010) .....	9611927037	9611927038	9611927039	9611927198
◆	Service kit, SIC/SIC (i-CP2020) .....	9611927064	9611927065	9611927066	9611927199
◆	Service kit, SIC/SIC (i-CP2025/2035) .....	9611927070	9611927071	9611927072	9611927200
◆	Service kit, SIC/SIC (i-CP2040/2050) .....	9611927076	9611927077	9611927078	9611927201
<b>Service kit for double mechanical shaft seal C/SIC</b>					
○	Service kit, C/SIC (i-CP2010) .....	9611927049	9611927050	9611927051	9611927202
○	Service kit, C/SIC (i-CP2020) .....	9611927079	9611927080	9611927081	9611927203
○	Service kit, C/SIC (i-CP2025/2035) .....	9611927085	9611927086	9611927087	9611927204
○	Service kit, C/SIC (i-CP2040/2050) .....	9611927091	9611927092	9611927093	9611927205
<b>Service kit for double mechanical shaft seal SIC/SIC</b>					
★	Service kit, SIC/SIC (i-CP2010) .....	9611927053	9611927054	9611927055	9611927206
★	Service kit, SIC/SIC (i-CP2020) .....	9611927082	9611927083	9611927084	9611927207
★	Service kit, SIC/SIC (i-CP2025/2035) .....	9611927088	9611927089	9611927090	9611927208
★	Service kit, SIC/SIC (i-CP2040/2050) .....	9611927094	9611927095	9611927096	9611927209

Parts marked with □◆○★ are included in the service kits.

Recommended spare parts: service kits.

Conversion kit single to double mechanical shaft seal : Please order Double mechanical service kit + pos. 43 + 38+ 39 + 40

(900561/6)

**How to contact Alfa Laval**

Contact details for all countries are continually updated on our website.

Please visit [www.alfalaval.com](http://www.alfalaval.com) to access the information directly.

© Alfa Laval Corporate AB

This document and its contents is owned by Alfa Laval Corporate AB and protected by laws governing intellectual property and thereto related rights. It is the responsibility of the user of this document to comply with all applicable intellectual property laws. Without limiting any rights related to this document, no part of this document may be copied, reproduced or transmitted in any form or by any means (electronic, mechanical, photocopying, recording, or otherwise), or for any purpose, without the expressed permission of Alfa Laval Corporate AB. Alfa Laval Corporate AB will enforce its rights related to this document to the fullest extent of the law, including the seeking of criminal prosecution.