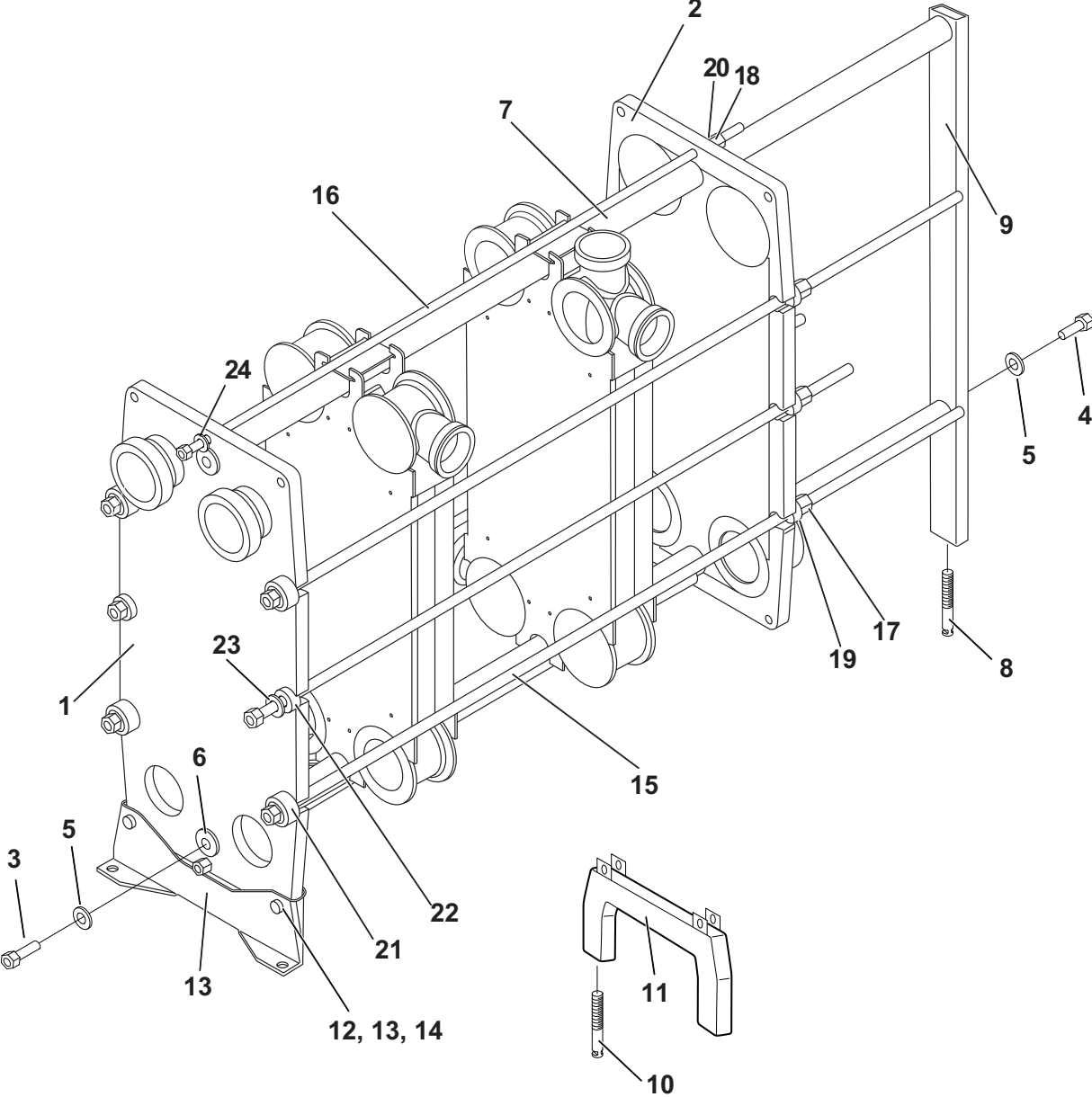




Spare Parts Lists M10-BASE



View from frame plate side of M10-BASE.

Document ID	Variant code	Edition
3490019476	02	4



Frame components

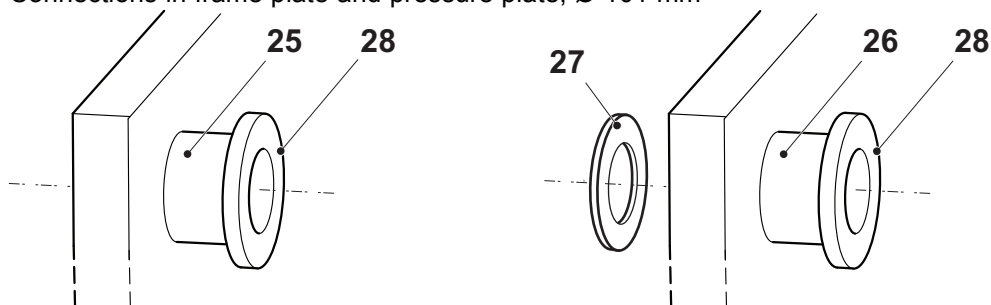
<i>Pos</i>	<i>Denomination</i>	<i>AlfaLaval Part No</i>	<i>Specification</i>	<i>Comments</i>
1	Frame plate	34503929-01	4-holed	CE
		34503928-01	3-holed	CE
		34503926-01	2-holed S1 S2 or S3 S4	CE
		34503927-01	2-holed S1 S3 or S2 S4	CE
		34503925-01	2-holed S1 S4 or S2 S3	CE
		34503924-01	1-holed	CE
		34503923-01	Unholed	CE
2	Pressure plate	34503929-01	4-holed	CE
		34503928-01	3-holed	CE
		34503926-01	2-holed T1 T2 or T3 T4	CE
		34503927-01	2-holed T1 T3 or T2 T4	CE
		34503925-01	2-holed T1 T4 or T2 T3	CE
		34503924-01	1-holed	CE
		34503923-01	Unholed	CE
3	Screw	2210463-09	ISO 4014 - M16 x 70 - A4-70	
4	Screw	2210463-03	ISO 4017 - M16 x 40 - A4-70	
		2210463-39	ISO 4017 - M16 x 80 - A4-70	Valid for 3-A sanitary std
5	Washer	223101-37	BRB 17 x 30 - 2343	
6	Washer	3350000770		
7	Carrying/guiding bar	3350000519	L=530	
		3350000520	L=730	
		3350000521	L=1030	
		3350000522	L=1330	
		3350000523	L=1530	
		3350000524	L=1830	
		3350000598	L=2100	
8	Levelling screw	1640848-01	L=200, M30	Valid together with low FP foot
		1640848-02	L=250, M30	Valid together with high FP foot
9	Support column	3350000810		Valid together with fixed FP foot
		3350000601		Valid together with low FP foot
		3350000602		Valid together with high FP foot
		3350029714		Valid together with low FP foot, 3-A sanitary std
10	Levelling screw	1640848-01	L=200, M30	For low foot
		1640848-02	L=250, M30	For high foot
11	Foot	1627509-01	Fixed	
		1642631-02	Low, adjustable	
		1642632-02	High, adjustable	
12	Screw	2210463-08	ISO 4014 - M16 x 65 - A4-70	
13	Washer	223101-37	BRB 17 x 30 - 2343	
14	Nut	221803-40	ISO 4032 - M16 - A4-70	
15	Tightening bolt	34504022-01	M20, L=360	CE
		34504023-01	M20, L=560	CE
		34504024-01	M20, L=860	CE
		34504025-01	M20, L=1160	CE
		34504026-01	M20, L=1460	CE
		34504027-01	M20, L=1760	CE
		34504028-01	M20, L=2060	CE
16	Tightening bolt	34504003-01	M16, L=330	CE
		34504004-01	M16, L=480	CE
		34504006-01	M16, L=780	CE
		34504007-01	M16, L=930	CE
		34504008-01	M16, L=1080	CE
		34504010-01	M16, L=1380	CE
		34504011-01	M16, L=1680	CE
17	Nut	1641666-01	M20	CE
18	Nut	1641665-01	M16	CE
19	Lock washer	1641230-01		



20	Washer	223101-37	BRB 17 x 30 - 2343	
21	Bearing box	1641223-01	M20	
22	Guide washer	1642588-01	M20	
23	Wearing washer	223101-39	BRB 21 x 37 - 2343	
24	Washer	223101-37	BRB 17 x 30 - 2343	
	Partition plate	1620941-01 1620941-02 1620941-03 1620941-04 1620941-05 1620941-06 1620941-07	Unholed 1-holed 2-holed PA1 PA2 or PA3 PA4 2-holed PA1 PA3 or PA2 PA4 2-holed PA1 PA4 or PA2 PA3 3-holed 4-holed	
	Ratchet spanner	32220-3100-6 32220-3102-01	M16, NV24 M20, NV30	Assembling tool Assembling tool
	Protecting sheet	3350000635	Available for the Plate Heat Exchanger, contact your local Alfa Laval Representative for more information on how to order. Sign	For protecting sheet.

Connections

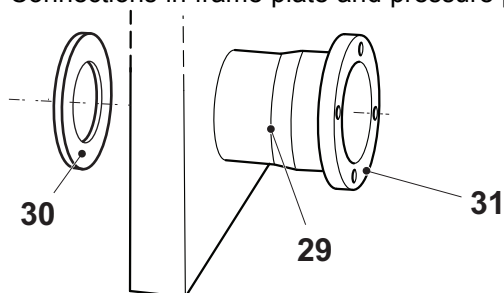
Connections in frame plate and pressure plate, Ø 101 mm



Drawing of connections, Ø 101 mm

Pos	Denomination	AlfaLaval Part No	Specification	Comments
25	Pipe	34503915-01		CE
		34503915-02		CE 3-A sanitary std
26	Pipe	3350001268		CE
		3350001291		CE 3-A sanitary std
		3350026287	Alloy 254	CE
		3350026288	Alloy 254	CE 3-A sanitary std
27	Welding ring	3350001265		CE
		3350026285	Alloy 254	CE
28	Fitting	1644793-06	SMS 101 MALE PART	CE
		1644796-06	DIN 101 MALE PART	CE
		1644799-06	IDF 101 MALE PART	CE
		1644802-06	RJT 101 MALE PART	CE
		1644805-06	CLAMP 101 NIPPLE	CE
		3350026210	Alloy 254, SMS 101 MALE PART	CE
		3350026214	Alloy 254, DIN 101 MALE PART	CE
		3350026219	Alloy 254, CLAMP 101 NIPPLE	CE

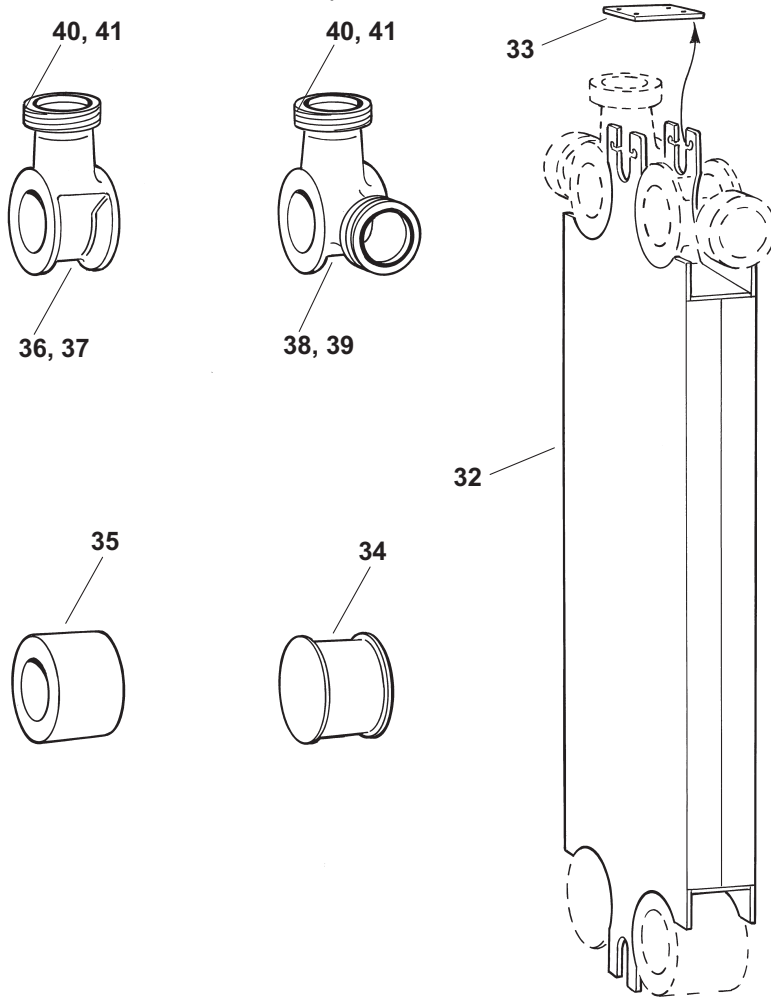
Connections in frame plate and pressure plate, DN100



Drawing of connections, DN100

Pos	Denomination	AlfaLaval Part No	Specification	Comments
29	Pipe	3350018142		CE
		3350026291	Alloy 254	CE
30	Welding ring	3350001265		CE
		3350026285	Alloy 254	CE
31	Flange	3350017922	DIN 11864-2 DN100	CE
		3350018011	FG1 PN10 DN100	CE
		3350018007	FN1 PN10 DN100	CE
		3350026307	Alloy 254, DIN 11864-2 DN100	CE

Connections in connection plate



Drawing of connection plate corners

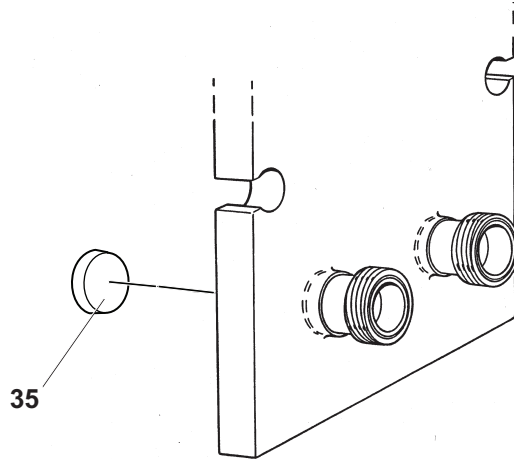
Pos	Denomination	AlfaLaval Part No	Specification	Comments
32	Connection plate	1642684-01		CE
33	Holder	1642683-01		
34	Blind corner	34500100-01		CE
35	Through passage	34500073-01 34500073-02 3350026310 3350026311	Alloy 254 Alloy 254	CE CE 3-A sanitary std CE CE 3-A sanitary std
36	Single corner, Ø76	1644859-01 1644859-02 3350026294 3350026295	Alloy 254 Alloy 254	CE CE 3-A sanitary std CE CE 3-A sanitary std
37	Single corner, DN80	3350018132 3350026296	Alloy 254	CE CE
38	Double corner, Ø76	32325-5317-2 32325-5317-3 3350026298 3350026299	Alloy 254 Alloy 254	CE CE 3-A sanitary std CE CE 3-A sanitary std
39	Double corner, DN80	3350018133 3350026303	Alloy 254	CE CE
40	Fitting, Ø76	1644793-05 34503161-01	SMS 76 MALE PART DIN 76 MALE PART, Inside tapered	CE CE

Document ID	Variant code	Edition
3490019476	02	4



		1644799-05	IDF 76 MALE PART	CE
		1644802-05	RJT 76 MALE PART	CE
		1644805-05	CLAMP 76 NIPPLE	CE
		3350026151	Alloy 254, SMS 76 MALE PART	CE
		3350026215	Alloy 254, DIN 76 MALE PART, Inside tapered	CE
		3350026147	Alloy 254, CLAMP 76 NIPPLE	CE
41	Flange, DN80	3350017921	DIN 11864-2 DN80	CE
		3350018010	FGN1 PN10 DN80	CE
		3350026160	Alloy 254, DIN 11864-2 DN80	CE

Blind connection



Drawing of blind connection

Pos	Denomination	AlfaLaval Part No	Specification	Comments
42	Blind cover	32324-3706-5		CE