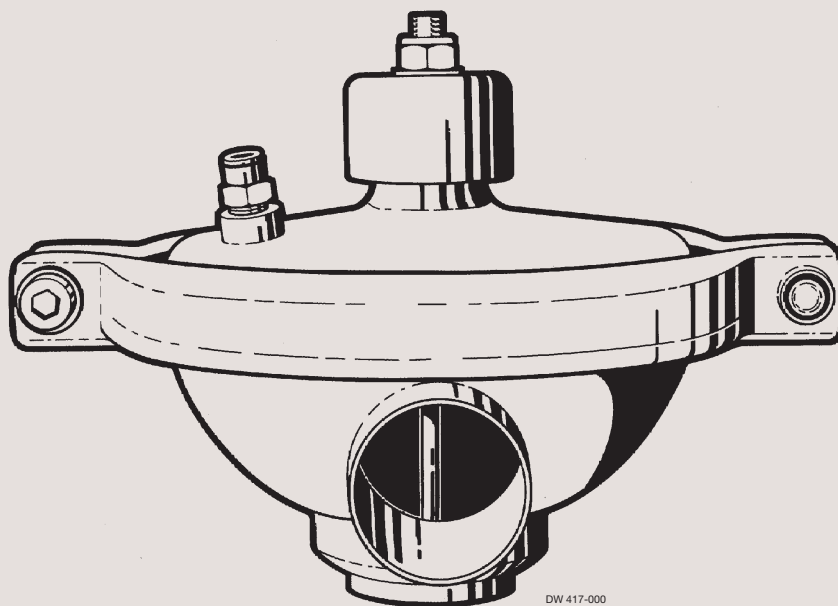




Spare Parts

CPM-2 Constant-Pressure Modulating Valve



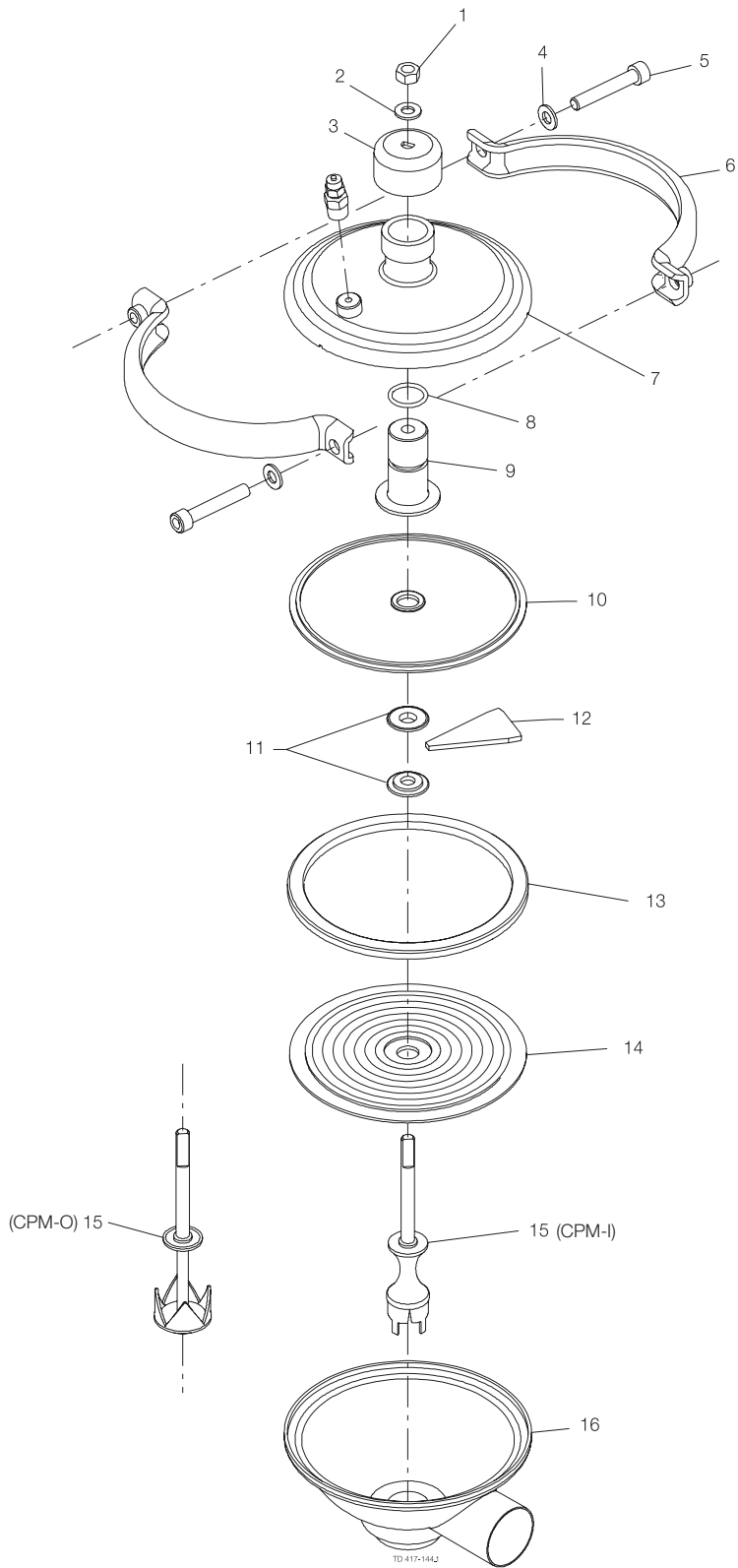
ESE00740-EN5 2018-01

Original manual

The information herein is correct at the time of issue but may be subject to change without prior notice

1. CPMI-2 and CPMO-2 Constant-Pressure Modulating Valve 4

2. CPM-Booster 3 for Cover with Thread 31356-0067-1/2 6



CPMI-2 and CPMO-2 Constant-Pressure Modulating Valve

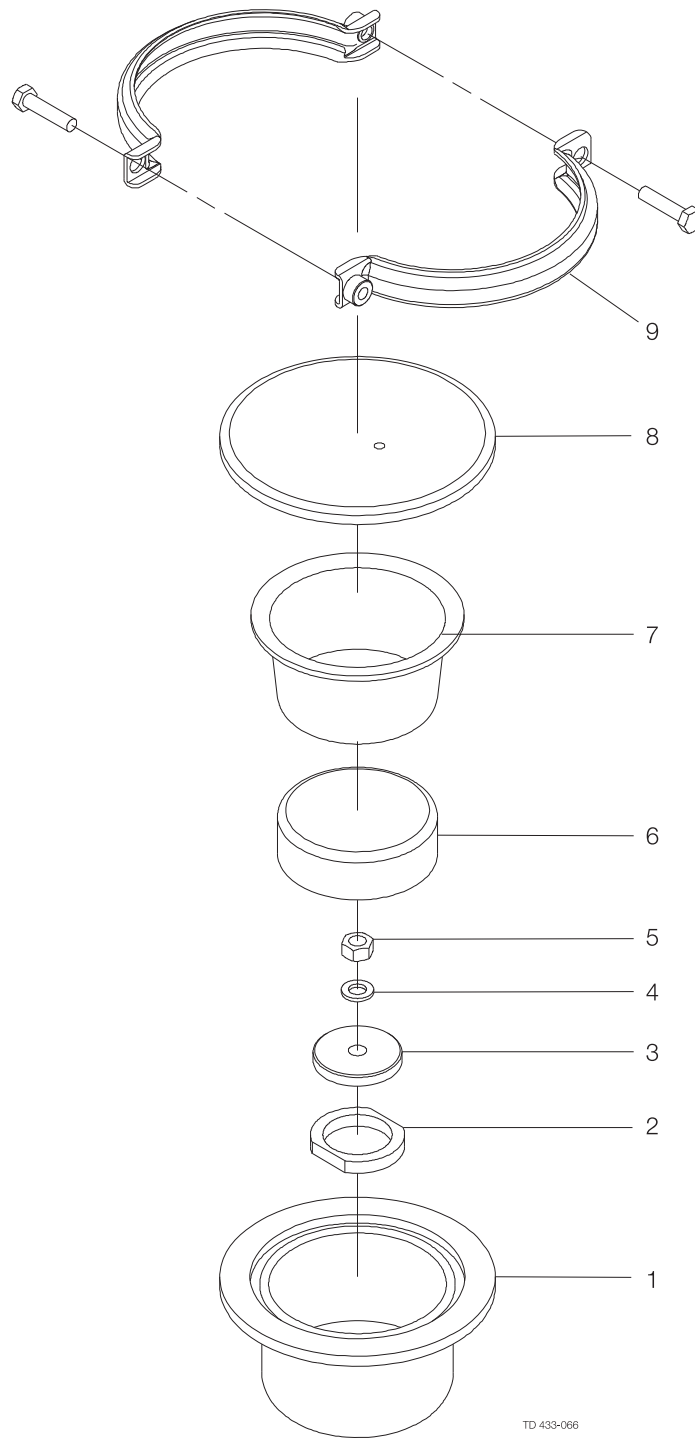
Pos	Qty	Denomination	CPMI-2- Kv23	CPMO-2- Kv23	CPMI-2- Kv2/15 Kv7	CPMO-2- Kv2/15 Kv9
1	1	Nut	22189115	22189115	22189115	22189115
2	1	Washer	9611995850	9611995850	9611995850	9611995850
3	1	Top	3135600034	3135600034	3135600034	3135600034
4	2	Washer	9611990786	9611990786	9611990786	9611990786
5	2	Screw	9611991222	9611991222	9611991222	9611991222
6	2	Clamp	9612335201	9612335201	9612335201	9612335201
7	1	Cover	3135600671	3135600671	3135600671	3135600671
8	□	1 O-ring, NBR (Standard)	22340649	22340649	22340649	22340649
		1 O-ring, FPM	9611992253	9611992253	9611992253	9611992253
9	1	Guide	3135600722	3135600722	3135600722	3135600722
10	□	1 Upper diaphragm, NBR (Standard)	3135600142	3135600142	3135600142	3135600142
		1 Upper diaphragm, EPDM/PTFE	3135600144	3135600144	3135600144	3135600144
		1 Upper diaphragm, PTFE	9612305702	9612305702	9612305702	9612305702
11	2	Inner ring	3135600631	3135600631	3135600631	3135600631
12	12	Support sector	3135600621	3135600621	3135600621	3135600621
13	1	Outer ring	9612305801	9612305801	9612305801	9612305801
14	□	1 Lower diaphragm, EPDM/PTFE (Standard)	9612306601	9612306601	9612306601	9612306601
		1 Lower diaphragm, PTFE	9612305701	9612305701	9612305701	9612305701
15	1	Valve plug Kv23	9612305901	9612306001		
		1 Valve plug Kv2/15			9612306101	9612306201
		1 Valve plug Kv7			9612468701	
		1 Valve plug Kv9				9612462501
16	1	Valve body, ISO	9612334001	9612334101	9612334201	9612334201
		1 Valve body, DIN	9612334301	9612334401	9612334501	9612334501
			CPMI-2- Kv23	CPMO-2- Kv23	CPMI-2- Kv2/15 Kv7	CPMO-2- Kv2/15 Kv9

Service kit.

Upper NBR and lower EPDM/PTFE, NBR O-ring	9611920218	9611920218	9611920218	9611920218
Upper and lower PTFE, FPM O-ring	9611920515	9611920515	9611920515	9611920515
Upper and lower EPDM/PTFE, FPM O-ring	9611920516	9611920516	9611920516	9611920516
Upper PTFE and lower EPDM/PTFE, FPM O-ring	9611920517	9611920517	9611920517	9611920517

Parts marked with □ are included in Service kit.

Recommended spare parts: Service kit.



CPM-Booster 3 for Cover with Thread 31356-0067-1/2

Pos	Qty	Denomination	3135600901
1	1	Booster housing	3135600891
2	1	Lock nut	3135600951
3	1	Washer	3135600841
4	1	Spring washer	9611991887
5	1	Nut	22180329
6	1	Booster piston	3135600851
7	1	Diaphragm	3135600941
8	1	Booster cover	3135600861
9	1	Clamps and screws	9611311057

Recommended spare parts: Pos. 7

900-127/0

How to contact Alfa Laval

Contact details for all countries are continually updated on our website.

Please visit www.alfalaval.com to access the information directly.

© Alfa Laval Corporate AB

This document and its contents is owned by Alfa Laval Corporate AB and protected by laws governing intellectual property and thereto related rights. It is the responsibility of the user of this document to comply with all applicable intellectual property laws. Without limiting any rights related to this document, no part of this document may be copied, reproduced or transmitted in any form or by any means (electronic, mechanical, photocopying, recording, or otherwise), or for any purpose, without the expressed permission of Alfa Laval Corporate AB. Alfa Laval Corporate AB will enforce its rights related to this document to the fullest extent of the law, including the seeking of criminal prosecution.