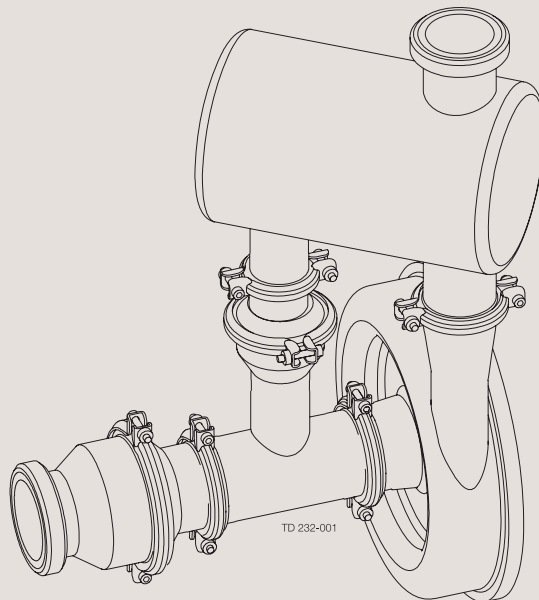




## Spare Parts

### LKHSP Self-Priming Centrifugal Pump



**NOTE!**

This is an appendix to Spare Parts for LKH Centrifugal pump. The appendix must be used in connection with Spare Parts for LKH Centrifugal pump to ensure correct installation, operation and maintenance of the self-priming unit. Non-specified information is identical with the data for the standard LKH pump.

# Not manufactured anymore

ESE00717-EN3      2012-08

Original manual

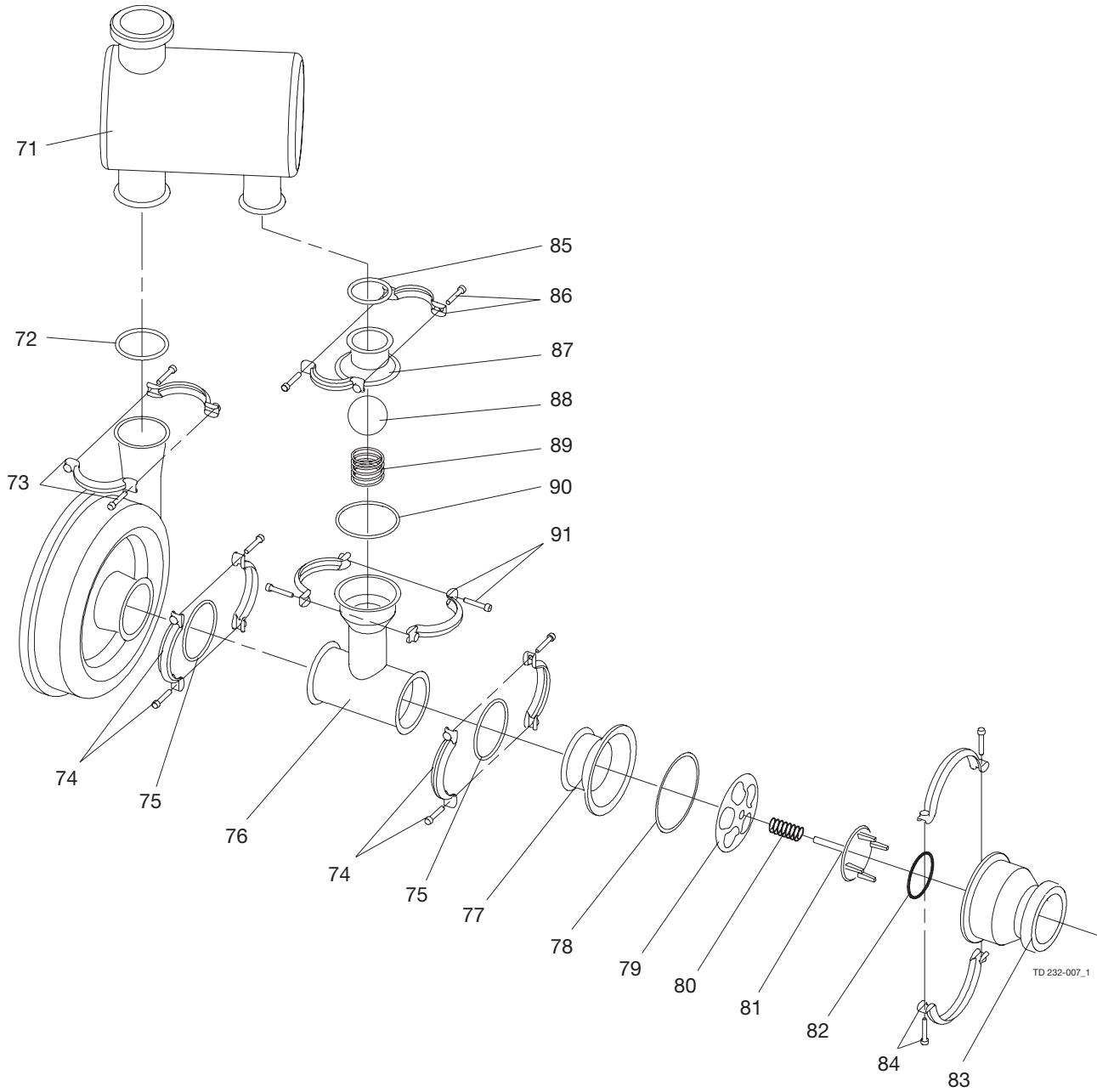


---

*The information herein is correct at the time of issue but may be subject to change without prior notice*

**1. LKHSP Self-Priming Centrifugal Pump ..... 4**

*Not manufactured anymore*



# LKHSP Self-Priming Centrifugal Pump

Pos	Qty	Denomination	LKHSP-10	LKHSP-20	LKHSP-25	LKHSP-35	LKHSP-40
71	1	Tank complete, SMS .....					
	1	Tank complete, IDF .....					
	1	Tank complete, BS .....					
	1	Tank complete, DIN .....					
	1	Tank complete, ISO-clamp .....					
	1	Tank complete, DS .....					
72	□	1 Seal ring, ISO-clamp, EPDM (standard) .....	9611991360	9611991360	9611991361	9611991360	9611991361
		1 Seal ring, ISO-clamp, NBR .....	9611990767	9611990767	9611990768	9611990767	9611990768
		1 Seal ring, ISO-clamp, FPM .....	9611991892	9611991892	9611991893	9611991892	9611991893
73	1	Clamp ring complete .....	9611311052	9611311052	9611311053	9611311053	9611311053
74	2	Clamp ring complete .....	9611311053	9611311053	9611311054	9611311053	9611311054
75	□	2 Seal ring, ISO-clamp, EPDM (standard) .....	9611991361	9611991361	9611991362	9611991361	9611991362
		2 Seal ring, ISO-clamp, NBR .....	9611990768	9611990768	9611990769	9611990768	9611990769
		2 Seal ring, ISO-clamp, FPM .....	9611991893	9611991893	9611991894	9611991893	9611991894
76	1	Tee, ISO-clamp .....					
77	1	Liner, ISO-clamp .....					
78	□	1 Seal ring, EPDM (standard) .....	9611253153	9611253153	9611253154	9611253153	9611253154
		1 Seal ring, NBR .....	9611253813	9611253813	9611253814	9611253813	9611253814
		1 Seal ring, FPM .....	9611253823	9611253823	9611253824	9611253823	9611253824
79	1	Guide plate .....	9612220804	9612220804	9612220805	9612220804	9612220805
80	1	Spring .....	9611991680	9611991680	9611991681	9611991680	9611991681
81	1	Valve cone .....	9612220704	9612220704	9612220705	9612220704	9612220705
82	□	1 O-ring, EPDM (standard) .....	9611990065	9611990065	9611990066	9611990065	9611990066
		1 O-ring, NBR .....	9611991413	9611991413	9611991414	9611991413	9611991414
		1 O-ring, FPM .....	9611991420	9611991420	9611991421	9611991420	9611991421
83	1	Valve body, SMS .....					
	1	Valve body, IDF .....					
	1	Valve body, BS .....					
	1	Valve body, DIN .....					
	1	Valve body, ISO-clamp .....					
	1	Valve body, DS .....					
84	1	Clamp ring complete .....	9611311055	9611311055	9611311056	9611311055	9611311056
85	□	1 Seal ring, ISO-clamp, EPDM (standard) .....	9611991360	9611991360	9611991360	9611991360	9611991360
		1 Seal ring, ISO-clamp, NBR .....	9611990767	9611990767	9611990767	9611990767	9611990767
		1 Seal ring, ISO-clamp, FPM .....	9611991892	9611991892	9611991892	9611991892	9611991892
86	1	Clamp complete .....	9611311052	9611311052	9611311052	9611311052	9611311052
87	1	Welding liner, ISO-clamp .....					
88	1	Ball, PP .....	9612541301	9612541301	9612541301	9612541301	9612541301
89	1	Spring .....	9612535401	9612535401	9612535401	9612535401	9612535401
90	□	1 Seal ring, EPDM (standard) .....	9611991362	9611991362	9611991362	9611991362	9611991362
		1 Seal ring, NBR .....	9611990769	9611990769	9611990769	9611990769	9611990769
		1 Seal ring, FPM .....	9611991894	9611991894	9611991894	9611991894	9611991894
91	2	Clamp ring complete .....	9611311054	9611311054	9611311054	9611311054	9611311054

LKHSP -10/  
-20/, -35      LKHSP -25/  
- 40

<b>Service kit, EPDM</b> .....	<b>9611922248</b>	<b>9611922251</b>
<b>Service kit, NBR</b> .....	<b>9611922249</b>	<b>9611922252</b>
<b>Service kit, FPM</b> .....	<b>9611922250</b>	<b>9611922253</b>

Parts marked with □ are included in the service kits.

Recommended spare parts: service kits.

(900025/3)

**How to contact Alfa Laval**

Contact details for all countries are continually updated on our website.

Please visit [www.alfalaval.com](http://www.alfalaval.com) to access the information directly.

© Alfa Laval Corporate AB

This document and its contents is owned by Alfa Laval Corporate AB and protected by laws governing intellectual property and thereto related rights. It is the responsibility of the user of this document to comply with all applicable intellectual property laws. Without limiting any rights related to this document, no part of this document may be copied, reproduced or transmitted in any form or by any means (electronic, mechanical, photocopying, recording, or otherwise), or for any purpose, without the expressed permission of Alfa Laval Corporate AB. Alfa Laval Corporate AB will enforce its rights related to this document to the fullest extent of the law, including the seeking of criminal prosecution.