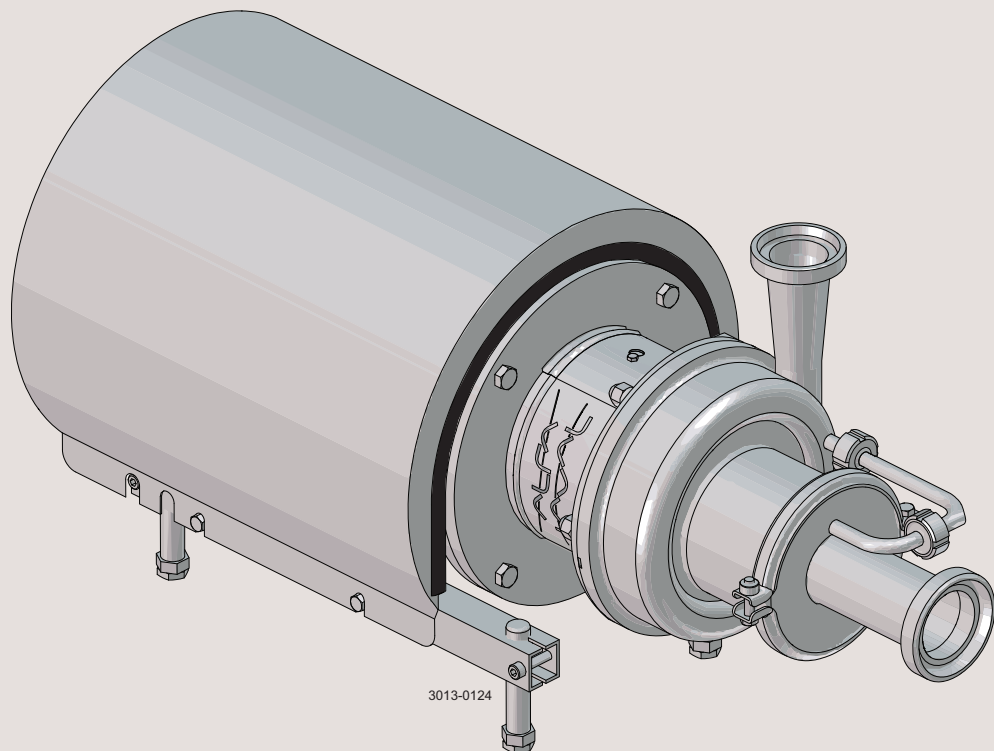




## Spare Parts

### LKH Prime Centrifugal Pump



ESE03072-EN6 2020-12

Original manual

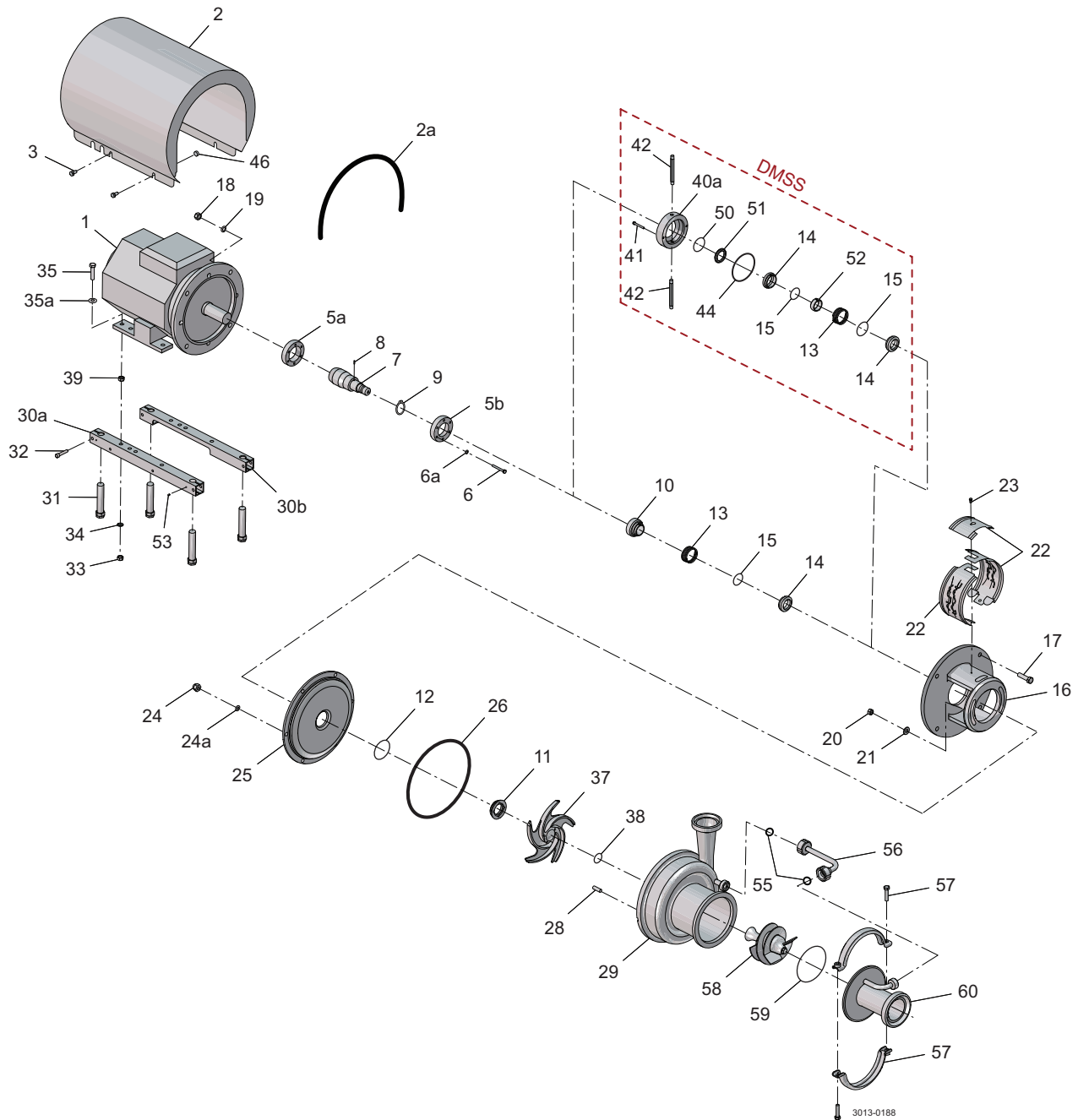


## Table of contents

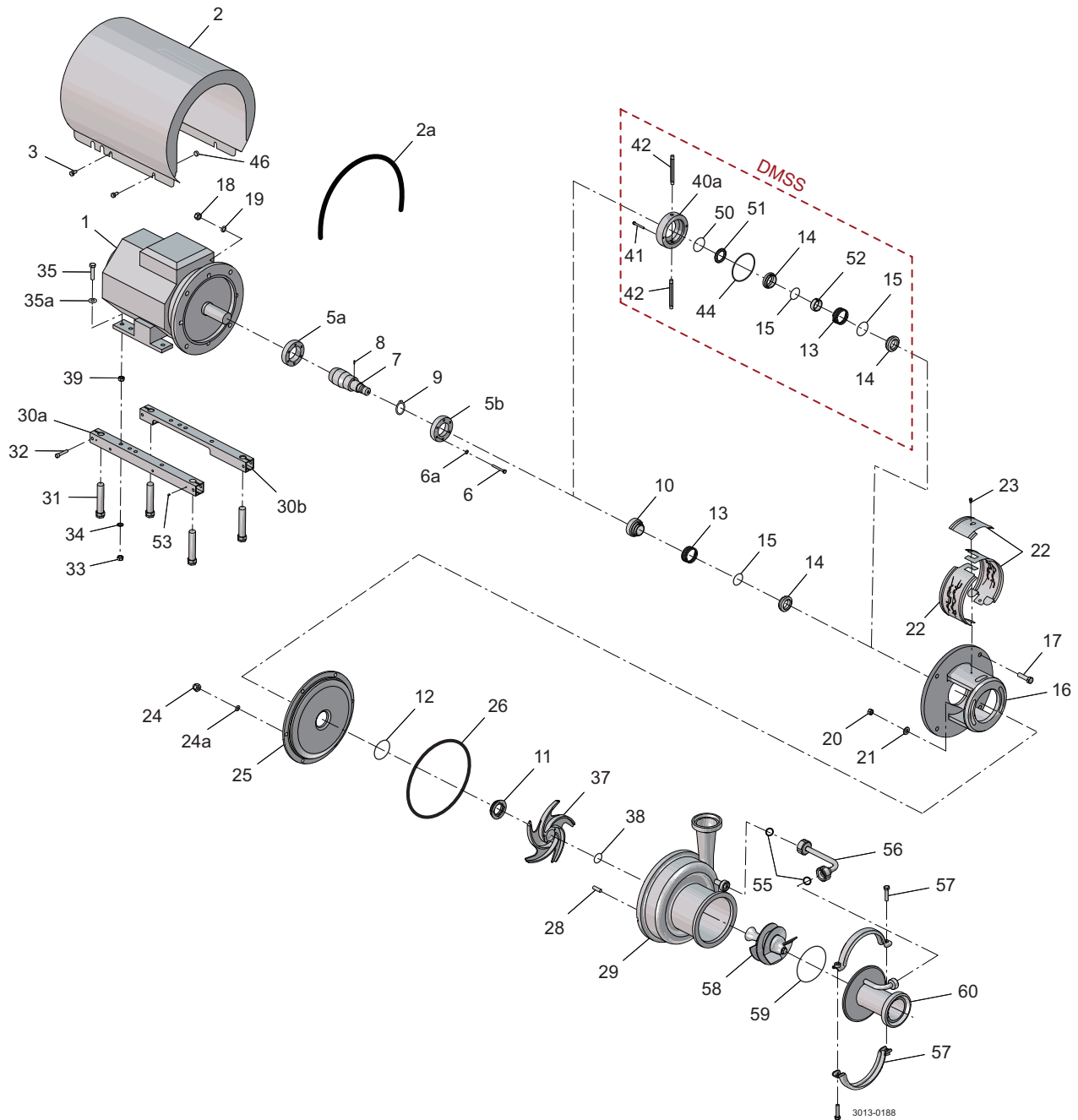
---

*The information herein is correct at the time of issue but may be subject to change without prior notice*

1. LKH Prime - Wet end .....	4
2. LKH Prime - Motor dependent parts .....	6
3. LKH Prime - Shaft seal and service kits .....	10



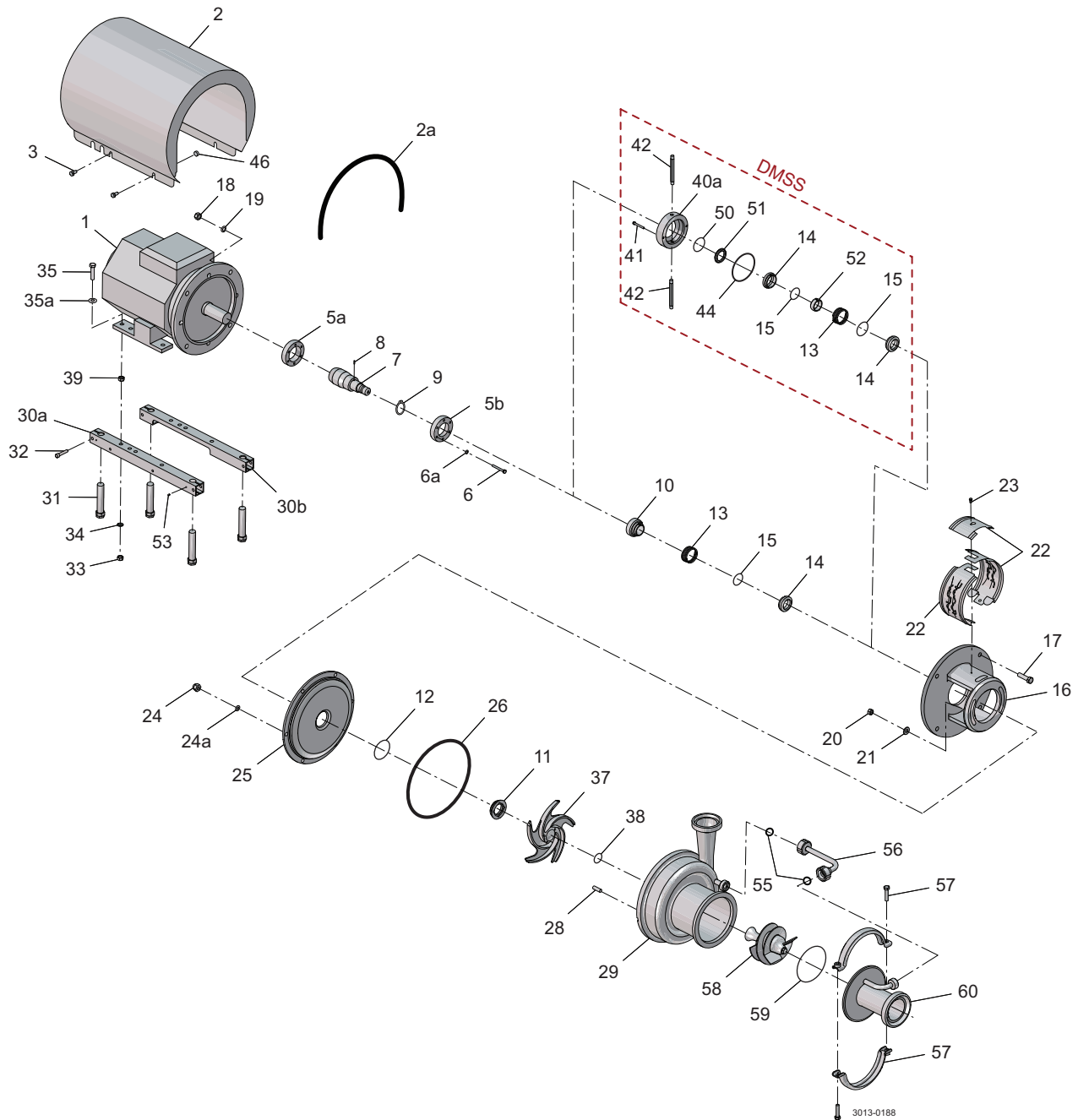
Pos	Qty	Denomination	LKH Prime 10	LKH Prime 20	LKH Prime 40
			IEC90-IEC100	IEC90-IEC160	IEC132-IEC200
<b>Pump casing standard blasted</b>					
29		Pump casing, IDF .....	9615261101	9615261108	9615261115
		Pump casing, SMS .....	9615261102	9615261109	9615261116
		Pump casing, DIN/ISO .....	9615261103	9615261110	9615261117
		Pump casing, ISO .....	9615261104	9615261111	9615261118
		Pump casing, BS .....	9615261105	9615261112	9615261119
		Pump casing, DS .....	9615261106	9615261113	9615261120
		Pump casing, DIN/DIN .....	9615261107	9615261114	9615261121
<b>Pump casing Mech Ra ≤ 0.8</b>					
		Pump casing, IDF .....	9615261201	9615261208	9615261215
		Pump casing, SMS .....	9615261202	9615261209	9615261216
		Pump casing, DIN/ISO .....	9615261203	9615261210	9615261217
		Pump casing, ISO .....	9615261204	9615261211	9615261218
		Pump casing, BS .....	9615261205	9615261212	9615261219
		Pump casing, DS .....	9615261206	9615261213	9615261220
		Pump casing, DIN/DIN .....	9615261207	9615261214	9615261221
<b>Front cover standard blasted</b>					
60		Front cover, IDF .....	9615261301	9615261308	9615261315
		Front cover, SMS .....	9615261302	9615261309	9615261316
		Front cover, DIN/ISO .....	9615261303	9615261310	9615261317
		Front cover, ISO .....	9615261304	9615261311	9615261318
		Front cover, BS .....	9615261305	9615261312	9615261319
		Front cover, DS .....	9615261306	9615261313	9615261320
		Front cover, DIN/DIN .....	9615261307	9615261314	9615261321
<b>Front cover Mech Ra ≤ 0.8</b>					
		Front cover, IDF .....	9615261401	9615261408	9615261415
		Front cover, SMS .....	9615261402	9615261409	9615261416
		Front cover, DIN/ISO .....	9615261403	9615261410	9615261417
		Front cover, ISO .....	9615261404	9615261411	9615261418
		Front cover, BS .....	9615261405	9615261412	9615261419
		Front cover, DS .....	9615261406	9615261413	9615261420
		Front cover, DIN/DIN .....	9615261407	9615261414	9615261421
59	◆△◆●	1 O-ring, EPDM .....			
		1 O-ring, NBR .....			
		1 O-ring, FPM .....			
56		1 Recirculation pipe, standard blasted .....	9615202003	9615202003	9615202003
		1 Recirculation pipe, Mech Ra ≤ 0.8 .....	9615202004	9615202004	9615202004
55	◆△◆●	2 O-ring, EPDM .....			
		2 O-ring, NBR .....			
		2 O-ring, FPM .....			
57		1 Clamp set .....	9611311057	9611311057	9611311058
58		1 Air screw, standard blasted .....	9615491902	9615216502	9615216702
		1 Air screw, Mech Ra ≤ 0.8 .....	9615491904	9615216504	9615216703
24		6 Cap nut .....	9611992592	9611992592	9611992593
24a		6 Washer .....	9611991888	9611991888	9611991887
28		6 Bolt .....	9611992168	9611992168	9611992169
26	◆△◆●	1 O-ring, EPDM .....			
		1 O-ring, NBR .....			
		1 O-ring, FPM .....			
37		1 Impeller, standard blasted .....	9612131214	9612131402	9612131802
		1 Impeller, Mech Ra ≤ 0.8 .....	8010000650	9612131418	9612131816
38	◆△◆●	1 O-ring, EPDM .....			
		1 O-ring, NBR .....			
		1 O-ring, FPM .....			
25		1 Back plate, standard blasted .....	9612138404	9612138405	9612138406
		1 Back plate, Mech Ra ≤ 0.8 .....	9612138420	9612138421	9612138422
20		2 Nut .....	9611990353	9611990353	9611990353
21		2 Washer .....	9611992559	9611992559	9611992559



## LKH Prime - Motor dependent parts

Pos	Qty	Denomination	IEC90	IEC100	IEC112	IEC132	IEC160
5a	1	Compression ring with thread .....	9612133601	9612133602	9612133602	9612133605	9612133603
5b	1	Compression ring without thread .....	9612133701	9612133702	9612133702	9612133705	9612133703
6	6	Screw .....	9611993196	9611993196	9611993196	9611993197	9611993198
6a	6	Washer .....	9611993199	9611993199	9611993199	9611993199	9611993199
7	1	Shaft LKH Prime 10/20 .....	9615230401	9615230402	9615230402	9615230403	9615230404
	1	Shaft LKH Prime 40 .....				9615422401	9615422501
7a	1	Stud bolt (included in pos 7 , LKH Prime 20) .	9615230301	9615230301	9615230301	9615230301	9615230301
8	1	Connex pin, (included in pos 7) .....	9611990622	9611990622	9611990622	9611990622	9611990622
9	1	Retaining ring, (included in pos 7) .....	9611992307				
2	1	Shroud .....	9612139001	9614192203	9612139003	9612139008	9612139005
2a	1	Edge list, (Included in pos. 2) .....					
3	4	Screw .....	9611993240	9611993240	9611993240	9611993240	9611993241
16	1	Adaptor .....	9612342301	9612342401	9612342401	9612342501	9612342601
17	4	Screw for adapter .....	9611992161	9611991834	9611991834	9611992162	9611992163
18	4	Nut for adapter .....	9611990353	9611990587	9611990587	9611990587	9611992160
19	4	Washer for adapter .....	9611991887	9611990676	9611990676	9611990676	9611991886
22	1	Safety guard set .....	9614077401	9614077402	9614077402	9614077403	9614077404
23	1	Screw for safety guard .....	9611993239	9611993239	9611993239	9611993239	9611993239
30a	1	Support bar, right .....	9612132201	9612132205	9612132205	9612132206	9612132203
30b	1	Support bar, left .....	9612132301	9612132305	9612132305	9612132306	9612132303
31	4	Leg .....	9612396701	9612396701	9612396701	9612396701	9612396701
32	4	Screw .....	9611991126	9611991126	9611991126	9611991126	9611991126
33	4	Nut .....	9611990360	9611990353	9611990353	9611990353	9611990587
34	4	Spring washer .....	9611991888	9611991887	9611991887	9611991887	9611990676
35	4	Screw .....	9611993241	9611991911	9611991911	9611991911	9611991834
35a	4	Washer .....		9611990786	9611990786	9611990786	9611990706
39	4	Nut .....		9611990587			
46	4	Distance sleeve .....		9611992737		9611992737	3143803902

Pos	Qty	Denomination	IEC180	IEC200
5a	1	Compression ring with thread .....	9612133604	9612133607
5b	1	Compression ring without thread .....	9612133704	9612133707
6	6	Screw .....	9611993198	9611993198
6a	6	Washer .....	9611993199	9611993199
7	1	Shaft LKH Prime 10/20 .....		
	1	Shaft LKH Prime 40 .....	9615422601	9615422701
7a	1	Stud bolt (included in pos 7, LKH Prime 20) .		
8	1	Connex pin, (included in pos 7) .....	9611990622	9611990622
9	1	Retaining ring, (included in pos 7) .....		
2	1	Shroud .....	9612139006	9612593801
2a	1	Edge list (Included in pos. 2) .....		
3	4	Screw .....	9611993243	9611993243
16	1	Adaptor .....	9612342601	9612342701
17	4	Screw for adapter .....	9611992164	9611992164
18	4	Nut for adapter .....	9611992160	9611992160
19	4	Washer for adapter .....	9611991886	9611991886
22	1	Safety guard set .....	9614077404	9614077404
23	1	Screw for safety guard .....	9611993239	9611993239
30a	1	Support bar, right .....	9612132204	9612342201
30b	1	Support bar, left .....	9612132304	9612342201
31	4	Leg .....	9612396701	9612396701
32	4	Screw .....	9611991126	9611991907
33	4	Nut .....	9611990587	9611990587
34	4	Spring washer .....	9611990676	9611990676
35	4	Screw .....	9611991834	9611993680
35a	4	Washer .....	9611990706	9611990703
39	4	Nut .....		
46	4	Distance sleeve .....	3143803903	3143803903
53	4	Pivot screw .....		9611991763

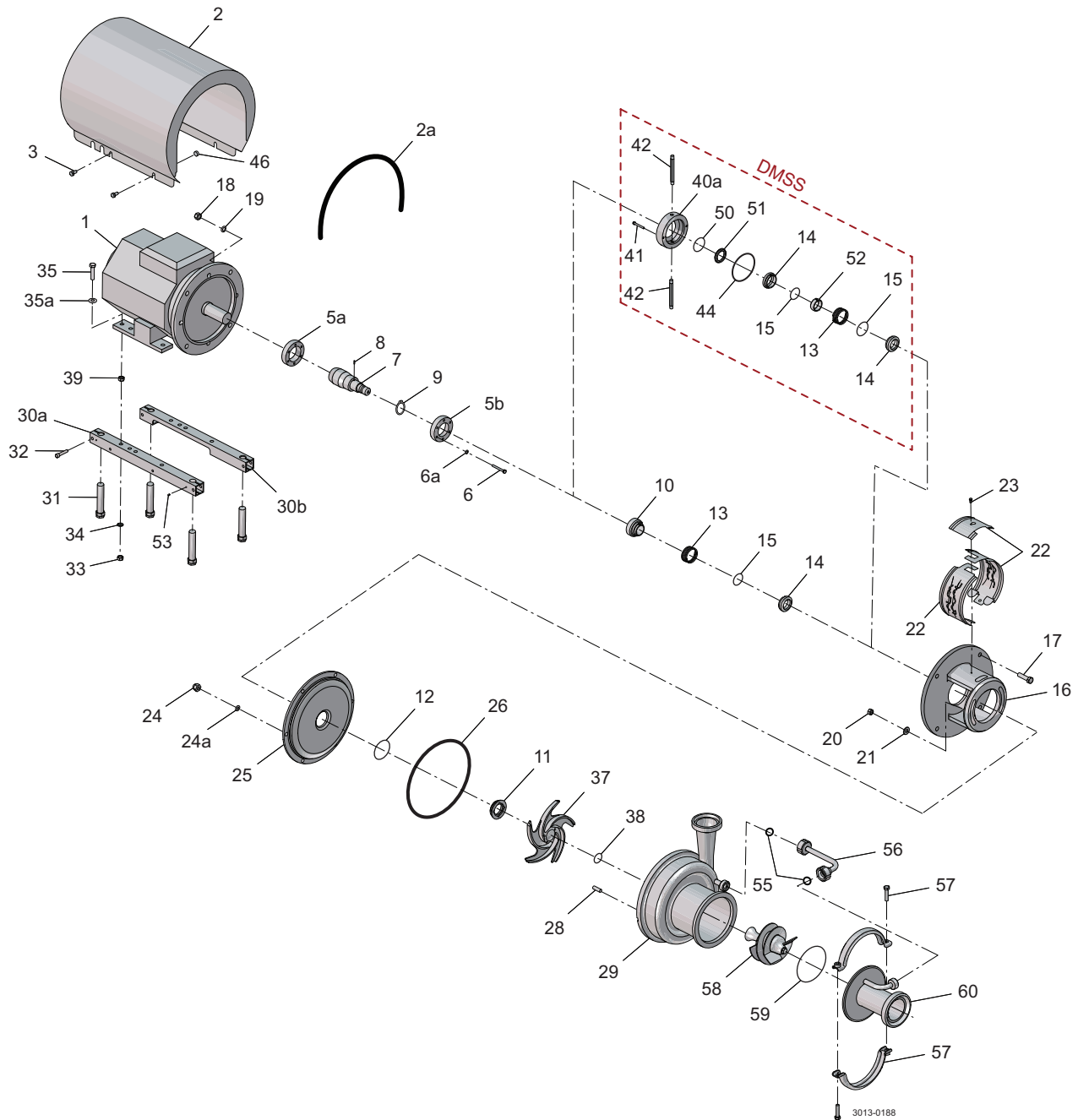




## LKH Prime - Motor dependent parts

Pos	Qty	Denomination	1.5 kW IEC90	2.2 kW IEC90	3 kW IEC100	4 kW IEC112	5.5 kW IEC132
1	1	Motor ABB, 3000rpm .....	9614303003	9614303004	9614303005	9614303006	9614303007
Pos	Qty	Denomination	7.5 kW IEC132	11 kW IEC160	15 kW IEC160	18.5 kW IEC160	22 kW IEC180
1	1	Motor ABB, 3000rpm .....	9614303008	9614303009	9614303010	9614303011	9614303012
Pos	Qty	Denomination	30 kW IEC200	37 kW IEC200	45 kW IEC200		
1	1	Motor ABB, 3000rpm .....	9614303013	9614303014	9614303015		

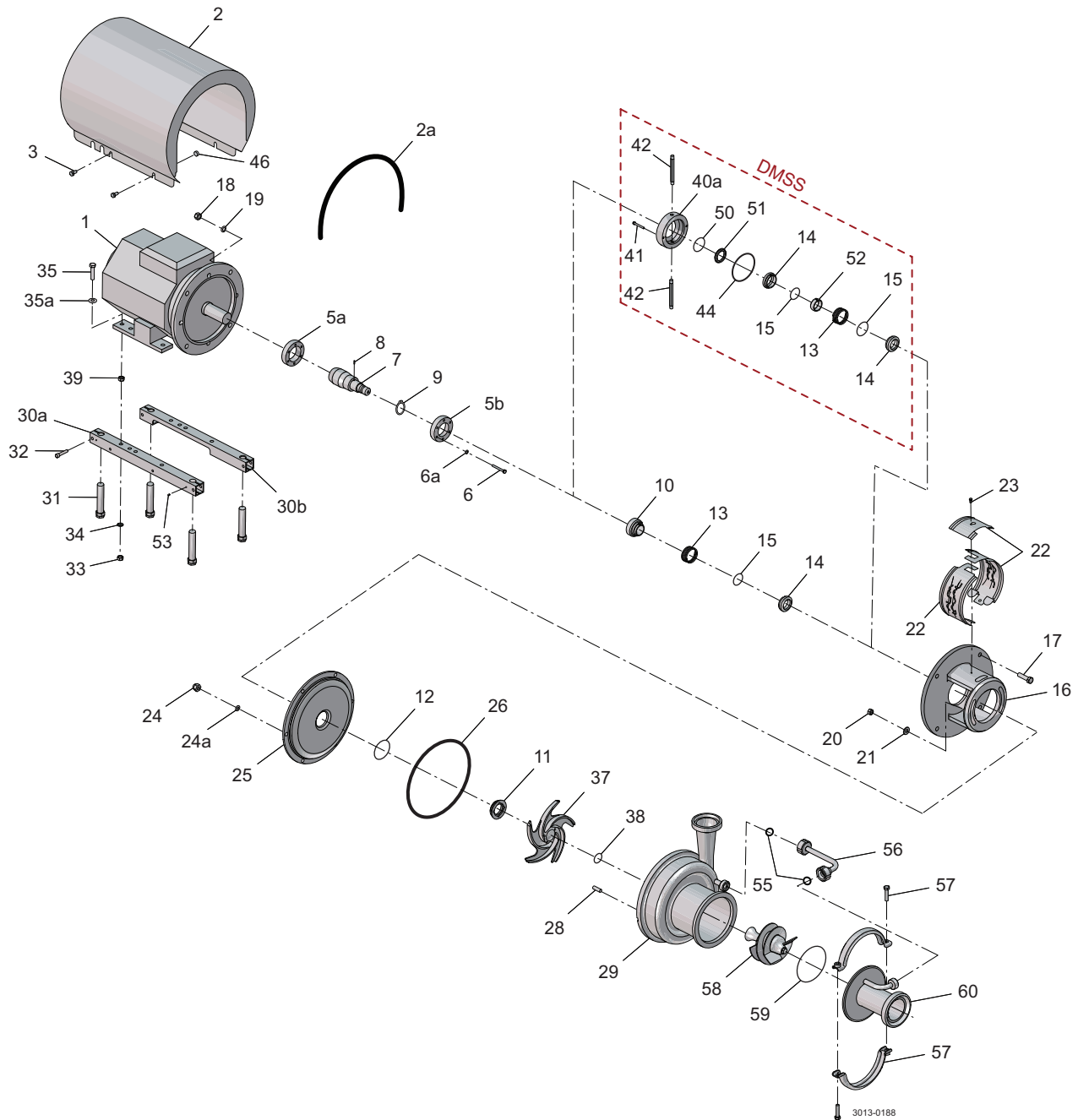
3 ~, 50 Hz, 230VD/400-415VY - Standard ≤ 22 kW  
 3 ~, 60 Hz, 440-460VY - Standard ≤ 22 kW



## LKH Prime - Shaft seal and service kits

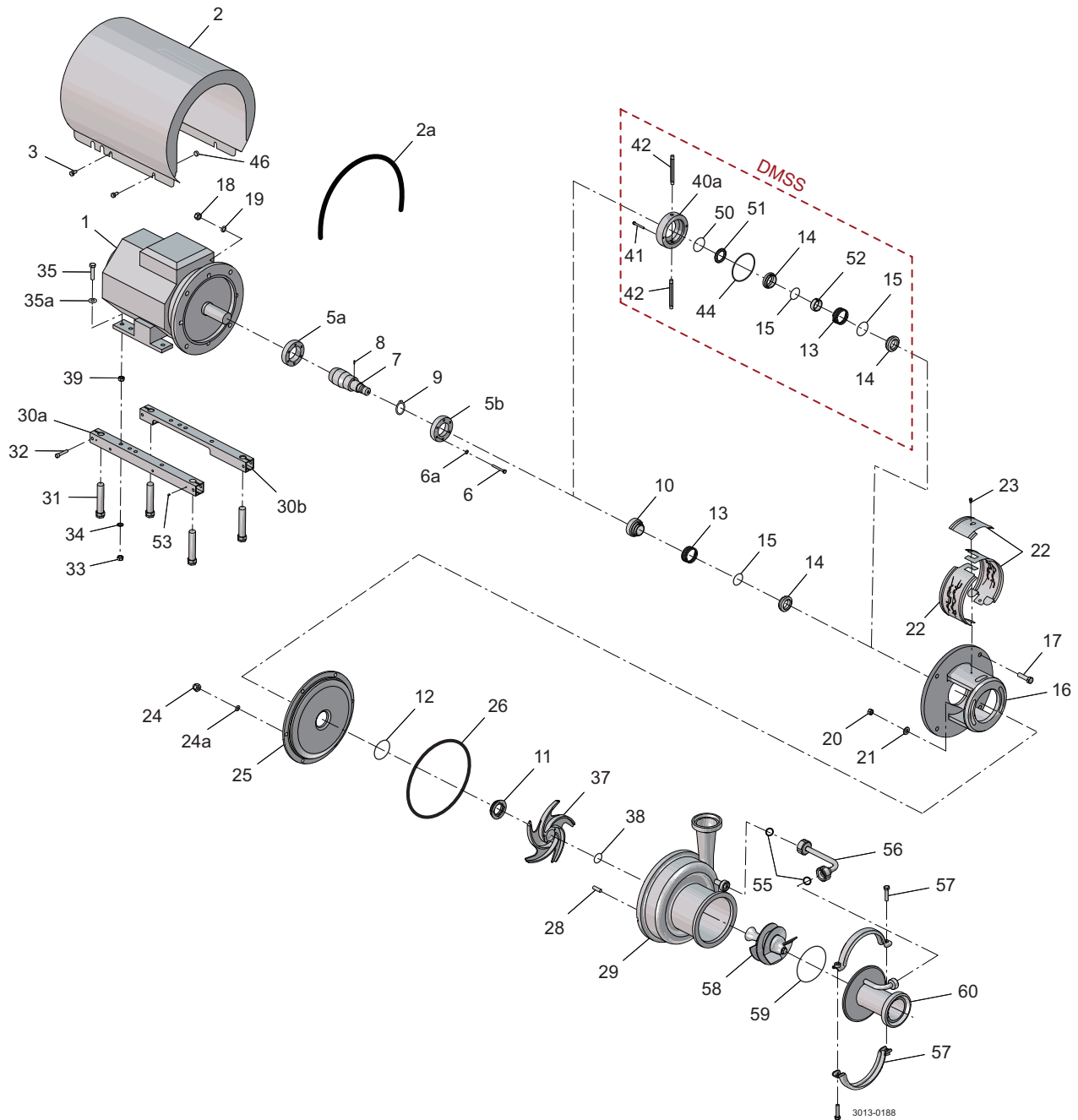
---

Pos	Qty	Denomination	LKH Prime 10	
			LKH Prime 20	LKH Prime 40
<b>Accessories</b>				
	1	Tool complete .....	9612137101	9612137101
<b>Parts for double mechanical shaft seal</b>				
40a	1	Seal housing .....	9612133902	9612133902
41	2	Screw for seal housing .....	9611990203	9611990203
42	2	Tube .....	9612358901	9612358907
<b>Drive ring</b>				
10	1	Drive ring, Single shaft seal steel .....	9614206001	9614206001



LKH Prime - Shaft seal and service kits

Pos	Qty	Denomination	EPDM	NBR	FPM
<b>Single shaft seal</b>					
		◆ Complete shaft seal, C/SiC .....	9612129609	9612129610	9612129611
11	1	Stationary seal ring, SiC .....			
12	1	O-ring .....			
13	1	Spring .....			
14	1	Rotating seal ring, carbon .....			
15	1	O-ring .....			
<b>Alternatives for single shaft seal</b>					
		◇ Complete shaft seal, SiC/SiC .....	9612129639	9612129640	9612129635
11	1	Stationary seal ring, SiC .....			
12	1	O-ring .....			
13	1	Spring .....			
14	1	Rotating seal ring, SiC .....			
15	1	O-ring .....			
<b>Double mechanical shaft seal</b>					
		△ Complete seal, C/SiC .....	9612129613	9612129614	9612129615
11	1	Stationary seal ring, SiC .....			
12	1	O-ring .....			
13	1	Spring .....			
14	2	Rotating seal ring, carbon .....			
15	2	O-ring .....			
44	1	O-ring for seal housing, EPDM .....			
50	1	O-ring, EPDM .....			
51	1	Sec. stationary seal ring .....			
52	1	Drive ring .....			
<b>Alternatives for double mechanical shaft seal</b>					
		● Complete shaft seal, SiC/SiC .....	9612129636	9612129637	9612129638
11	1	Stationary seal ring, SiC .....			
12	1	O-ring .....			
13	1	Spring .....			
14	2	Rotating seal ring, SiC .....			
15	2	O-ring .....			
44	1	O-ring for seal housing, EPDM .....			
50	1	O-ring, EPDM .....			
51	1	Sec. stationary seal ring .....			
52	1	Drive ring .....			



## LKH Prime - Shaft seal and service kits

		EPDM	NBR	FPM
<b>Service kit for single shaft seal C/SiC</b>				
◆	Service kit, C/SiC (LKH Prime 10) .....	8010001210	8010001211	8010001212
◆	Service kit, C/SiC (LKH Prime 20) .....	9611927175	9611927176	9611927177
◆	Service kit, C/SiC (LKH Prime 40) .....	9611927210	9611927211	9611927212
<b>Service kit for single shaft seal SiC/SiC</b>				
◇	Service kit, SiC/SiC (LKH Prime 10) .....	8010001213	8010001214	8010001215
◇	Service kit, SiC/SiC (LKH Prime 20) .....	9611927178	9611927179	9611927180
◇	Service kit, SiC/SiC (LKH Prime 40) .....	9611927213	9611927214	9611927215
<b>Service kit for double mechanical shaft seal C/SiC</b>				
△	Service kit, C/SiC (LKH Prime 10) .....	8010001216	8010001217	8010001218
△	Service kit, C/SiC (LKH Prime 20) .....	9611927181	9611927182	9611927183
△	Service kit, C/SiC (LKH Prime 40) .....	9611927216	9611927217	9611927218
<b>Service kit for double mechanical shaft seal SiC/SiC</b>				
●	Service kit, SiC/SiC (LKH Prime 10) .....	8010001219	8010001220	8010001221
●	Service kit, SiC/SiC (LKH Prime 20) .....	9611927184	9611927185	9611927186
●	Service kit, SiC/SiC (LKH Prime 40) .....	9611927219	9611927220	9611927221

Parts marked with ◆△◇● are included in the service kits.

Conversion kit single to double mechanical shaft seal : Please order double mechanical service kit + pos. 40a + 41 + 42.

Recommended spare parts: Service kits.

(900687/5)

**How to contact Alfa Laval**

Contact details for all countries are continually updated on our website.

Please visit [www.alfalaval.com](http://www.alfalaval.com) to access the information directly.

© Alfa Laval Corporate AB

This document and its contents is owned by Alfa Laval Corporate AB and protected by laws governing intellectual property and thereto related rights. It is the responsibility of the user of this document to comply with all applicable intellectual property laws. Without limiting any rights related to this document, no part of this document may be copied, reproduced or transmitted in any form or by any means (electronic, mechanical, photocopying, recording, or otherwise), or for any purpose, without the expressed permission of Alfa Laval Corporate AB. Alfa Laval Corporate AB will enforce its rights related to this document to the fullest extent of the law, including the seeking of criminal prosecution.