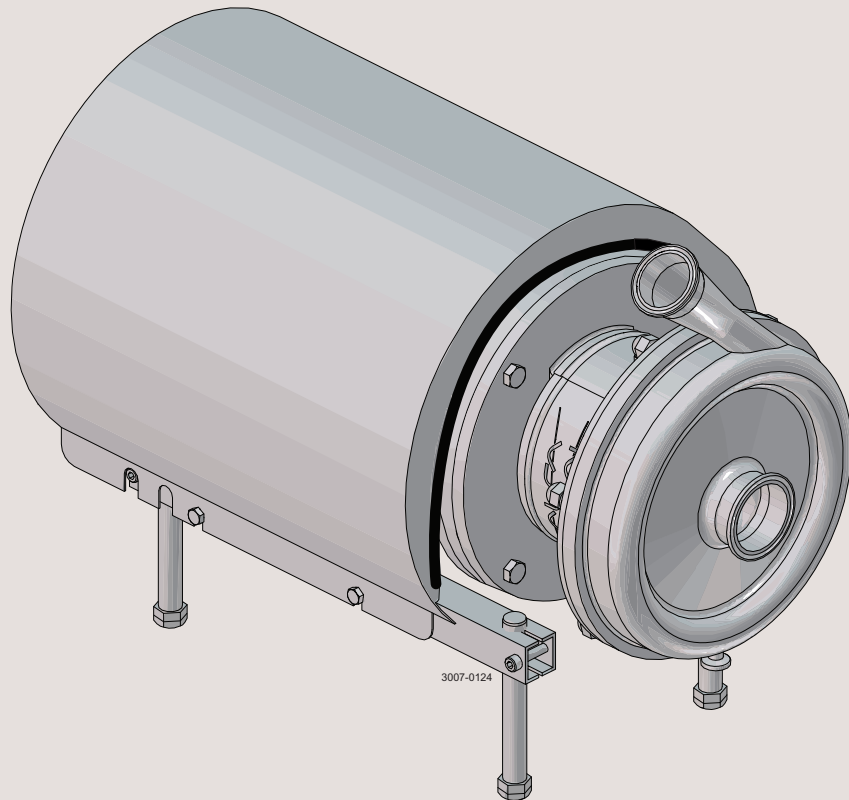




Spare Parts

LKH UltraPure Centrifugal Pump



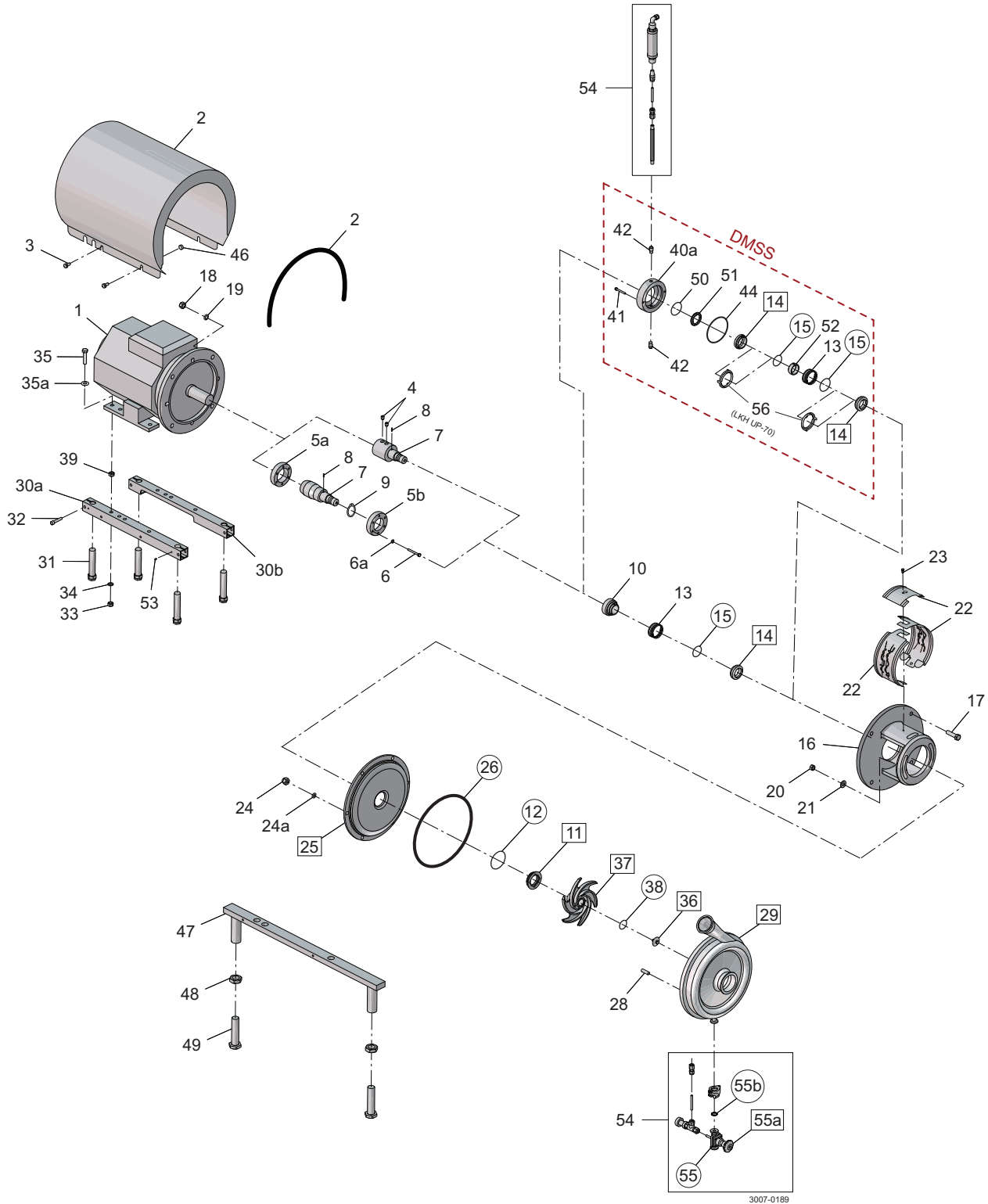
ESE02023-EN15 2020-09

Original manual

Table of contents

The information herein is correct at the time of issue but may be subject to change without prior notice

1. LKH UltraPure - Wet end	4
2. LKH UltraPure - Motor dependent parts	8
3. LKH UltraPure - Shaft seal and service kits	12



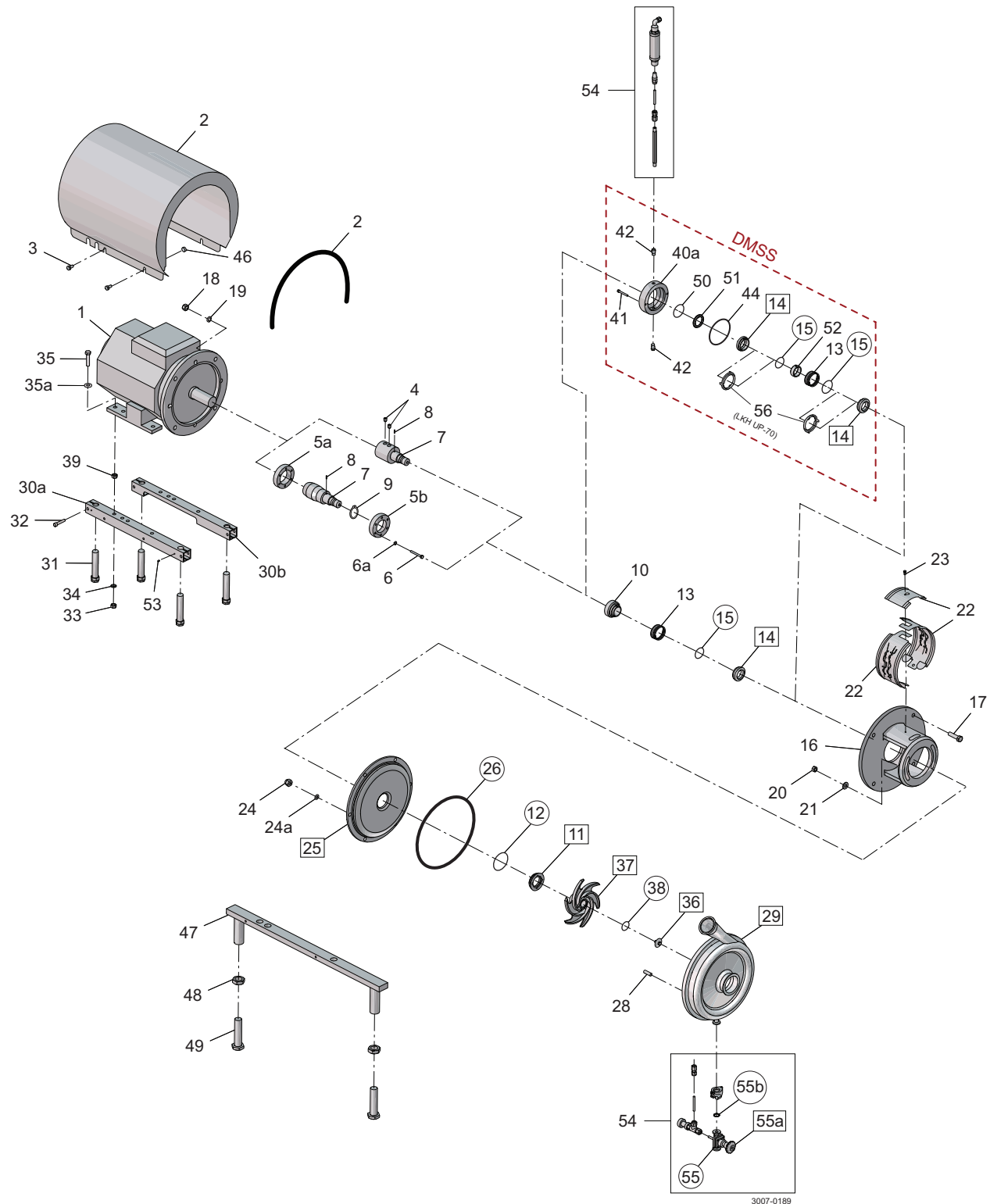
- Product wetted steel parts
- Product wetted elastomer parts

LKH UltraPure - Wet end

Pos	Qty	Denomination	LKHUP-10 IEC90- IEC112	LKHUP-20 IEC100- IEC132	LKHUP-25 IEC132- IEC160	LKHUP-35 IEC112- IEC160
Casing Mech Ra ≤ 0.8, 45deg outlet, 1/2" drain						
29	1	Connections and drain, ferrule Tri-clamp for ASME BPE	9612630532	9612630534	9612630536	9612630538
Casing Mech Ra ≤ 0.5, 45deg outlet, 1/2" drain						
	1	Connections and drain, ferrule Tri-clamp for ASME BPE	9612630501	9612630504	9612630507	9612630510
Casing EP Ra ≤ 0.4, 45deg outlet, 1/2" drain						
	1	Connections and drain, ferrule Tri-clamp for ASME BPE	9612630516	9612630519	9612630522	9612630525
Pos	Qty	Denomination	LKHUP-40 IEC132- IEC180	LKHUP-45 IEC112- IEC160	LKHUP-60 IEC132- IEC200	LKHUP-70 IEC132- IEC250
Casing Mech Ra ≤ 0.8, 45deg outlet, 1/2" drain						
29	1	Connections and drain, ferrule Tri-clamp for ASME BPE	9612630540	9615375301	9615375302	9615375303
Casing Mech Ra ≤ 0.5, 45deg outlet, 1/2" drain						
	1	Connections and drain, ferrule Tri-clamp for ASME BPE	9612630513	9615375304	9615375305	9615375306
Casing EP Ra ≤ 0.4, 45deg outlet, 1/2" drain						
	1	Connections and drain, ferrule Tri-clamp for ASME BPE	9612630528	9615375307	9615375308	9615375309

Note: For article numbers on casing specifications not listed above. Please contact your local Alfa Laval partner.

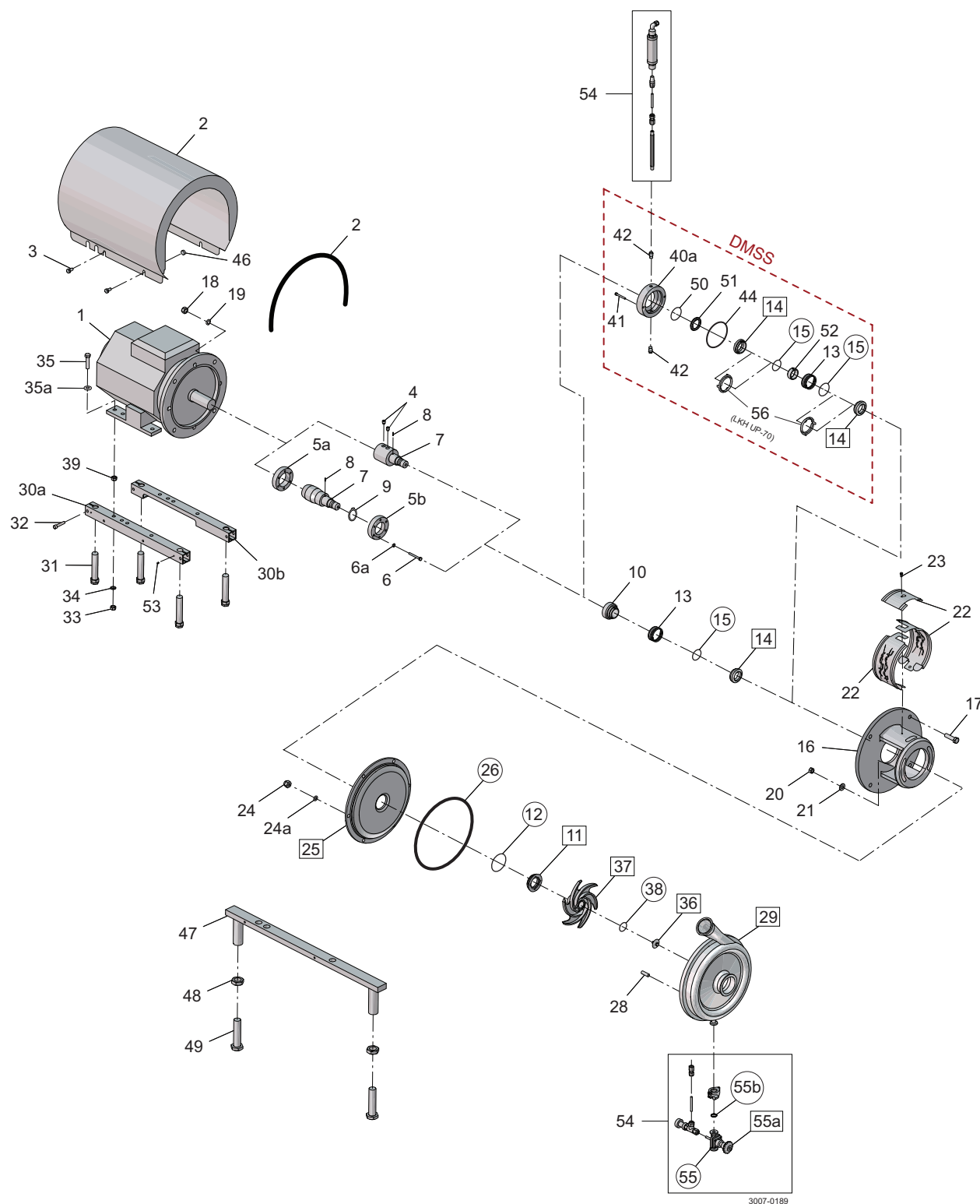
Note: Heat certificates can be downloaded from www.alfalaval.com/certificates



- Product wetted steel parts
- Product wetted elastomer parts

Pos	Qty	Denomination	LKHUP-10 IEC90- IEC112	LKHUP-20 IEC100- IEC132	LKHUP-25 IEC132- IEC160	LKHUP-35 IEC112- IEC160
24	6	Cap nut	9611992592	9611992592	9611992593	9611992593
24a	6	Washer	9611991888	9611991888	9611991887	9611991887
28	6	Bolt	9611992168	9611992168	9611992169	9611992169
37	1	Impeller, Mech Ra ≤ 0.8	9612131229	9612131419	9612425217	9612434117
	1	Impeller, Mech Ra ≤ 0.5	9612131206	9612131406	9612425206	9612434106
	1	Impeller, EP Ra ≤ 0.4	9612131225	9612131415	9612425213	9612434113
36	1	Impeller screw, Mech Ra ≤ 0.8	9612139611	9612139611	9612139611	9612139611
	1	Impeller screw, Mech Ra ≤ 0.5	9612139609	9612139609	9612139609	9612139609
	1	Impeller screw, EP Ra ≤ 0.4	9612139610	9612139610	9612139610	9612139610
37	1	Impeller, Mech Ra ≤ 0.8 Delta Ferrite<1%	9612131232	9612131422	9612425220	9612434120
	1	Impeller, Mech Ra ≤ 0.5 Delta Ferrite<1%	9612131226	9612131416	9612425214	9612434114
	1	Impeller, EP Ra ≤ 0.4 Delta Ferrite<1%	9612131227	9612131417	9612425215	9612434115
25	1	Backplate compl, Mech Ra ≤ 0.8	9612633211	9612633212	9612633213	9612633213
	1	Backplate compl, Mech Ra ≤ 0.5	9612633201	9612633202	9612633204	9612633204
	1	Backplate compl, EP Ra ≤ 0.4	9612633206	9612633207	9612633208	9612633208
20	2	Nut	9611990353	9611990353	9611990353	9611990353
21	2	Washer	9611992559	9611992559	9611992559	9611992559

Pos	Qty	Denomination	LKHUP-40 IEC132- IEC180	LKHUP-45 IEC112- IEC160	LKHUP-60 IEC132- IEC200	LKHUP-70 IEC132- IEC250
24	8	Cap nut				9611992593
24a	8	Washer				9611991887
28	8	Bolt				9611992169
37	1	Impeller, Mech Ra≤ 0.8	9612131817	9612363015	9612128316	9612499413
	1	Impeller, Mech Ra≤ 0.5	9612131806	9612363006	9612128306	9612499419
	1	Impeller, EP Ra≤ 0.4	9612131813	9612363014	9612128314	9612499414
36	1	Impeller screw, Mech Ra≤ 0.8	9612139611	9612139611	9612139611	9612927113
	1	Impeller screw, Mech Ra≤ 0.5	9612139609	9612139609	9612139609	9612927111
	1	Impeller screw, EP Ra≤ 0.4	9612139610	9612139610	9612139610	9612927112
37	1	Impeller Mech, Ra≤ 0.8 Delta Ferrite<1%	9612131820	9612363018	9612128319	9612499417
	1	Impeller Mech, Ra≤ 0.5 Delta Ferrite<1%	9612131814	9612363017	9612128318	9612499416
	1	Impeller, EP Ra≤ 0.4 Delta Ferrite<1%	9612131815	9612363019	9612128320	9612499418
25	1	Backplate compl, Mech Ra≤ 0.8	9612633214	9612633213	9612633214	9615284402
	1	Backplate compl, Mech Ra≤ 0.5	9612633205	9612633204	9612633205	9615284403
	1	Backplate compl, EP Ra≤ 0.4	9612633210	9612633208	9612633210	9615284404
20	2	Nut	9611990353	9611990353	9611990353	
21	2	Washer	9611992559	9611992559	9611992559	
20	4	Nut				9611990353
21	4	Washer				9611992559
26	□♦	1 Pump casing O-ring, EPDM				
	□♦	1 Pump casing O-ring, FPM				
	□♦	1 Pump casing O-ring, FEP				
38	□♦	1 O-ring impeller screw, EPDM				
	□♦	1 O-ring impeller screw, FPM				
	□♦	1 O-ring impeller screw, FEP				



LKH UltraPure - Motor dependent parts

Pos	Qty	Denomination	IEC90	IEC100	IEC112	IEC132
LKHUP-10/20/25/35/40/45/60						
7	1	Shaft	9612132402	9612132502	9612132502	9612132602
9	1	Retaining ring	9611992307			
8	1	Connex pin	9611990622	9611990622	9611990622	9611990622
5a	1	Compression ring with thread	9612133601	9612133602	9612133602	9612133605
5b	1	Compression ring without thread	9612133701	9612133702	9612133702	9612133705
6	6	Screw	9611993196	9611993196	9611993196	9611993197
6a	6	Washer	9611993199	9611993199	9611993199	9611993199
16	1	Adaptor	9612342301	9612342401	9612342401	9612342501
17	4	Screw for adaptor	9611992161	9611991834	9611991834	9611992162
18	4	Nut for adaptor	9611990353	9611990587	9611990587	9611990587
19	4	Washer for adaptor	9611991887	9611990676	9611990676	9611990676
22	1	Safety guard set	9614077401	9614077402	9614077402	9614077403
23	1	Screw for safety guard	9611993239	9611993239	9611993239	9611993239
30a	1	Support bar, right	9612132201	9612132205	9612132205	9612132206
30b	1	Support bar, left	9612132301	9612132305	9612132305	9612132306
31	4	Leg	9612396702	9612396702	9612396702	9612396702
32	4	Screw	9611991126	9611991126	9611991126	9611991126
33	4	Nut	9611990360	9611990353	9611990353	9611990353
34	4	Spring washer	9611991888	9611991887	9611991887	9611991887
35	4	Screw	9611993241	9611991911	9611991911	9611991911
35a	4	Washer		9611990786	9611990786	9611990786
39	4	Nut		9611990587		

Shroud

2	1	Shroud	9612139001	9612139003	9612139003	9612139008
3	4	Screw	9611993240	9611993240	9611993240	9611993240
46	4	Distance sleeve		9611992737		9611992737

Accessories

1	1	Tool complete	9612903601	9612903601	9612903601	9612903601
---	---	---------------------	------------	------------	------------	------------

Pos	Qty	Denomination	IEC160	IEC180	IEC200
-----	-----	--------------	--------	--------	--------

LKHUP-10/20/25/35/40/45/60

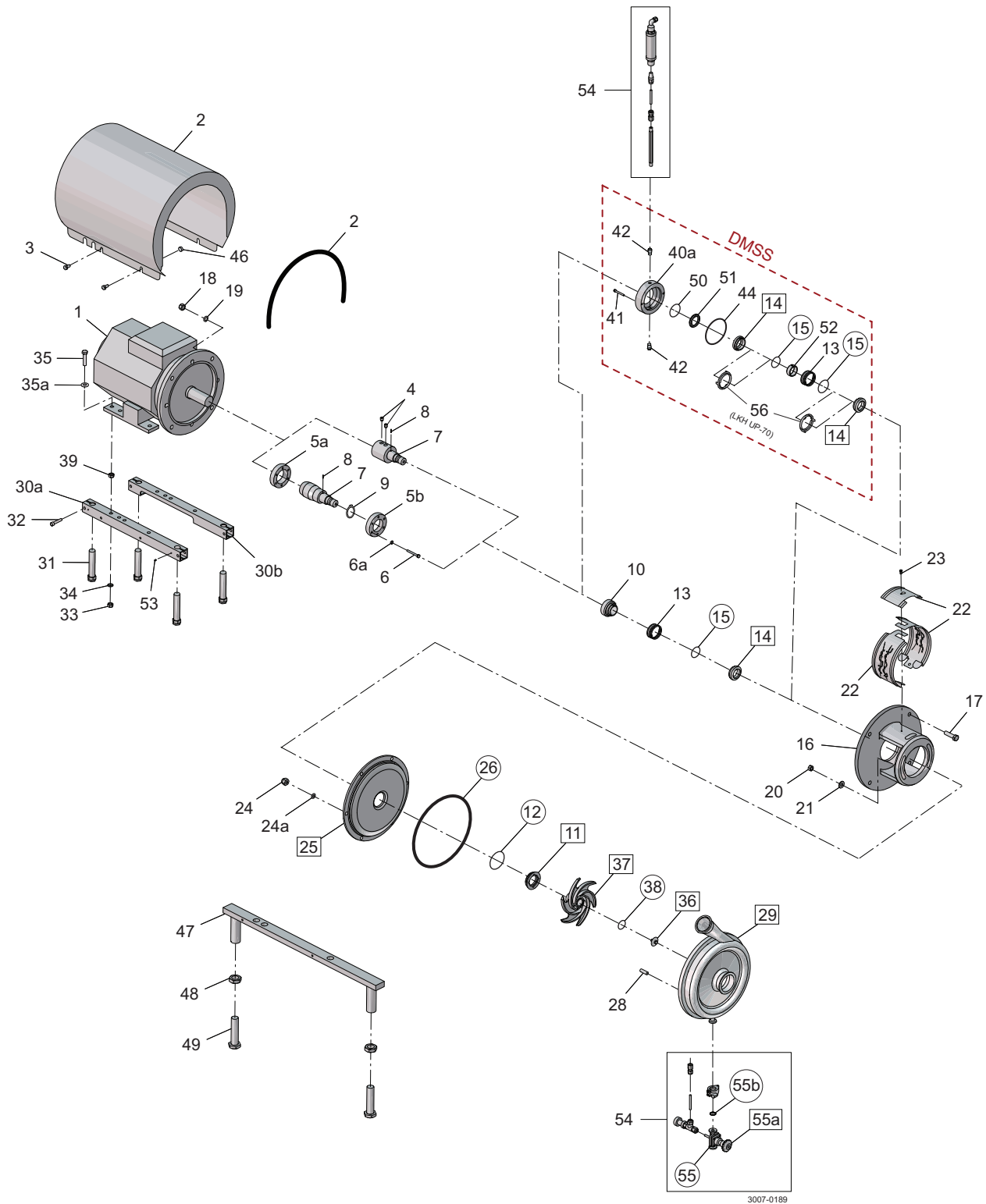
7	1	Shaft	9612132702	9612132802	9612232902
8	1	Connex pin	9611990622	9611990622	9611990622
5a	1	Compression ring with thread	9612133603	9612133604	9612133607
5b	1	Compression ring without thread	9612133703	9612133704	9612133707
6	6	Screw	9611993198	9611993198	9611993198
6a	6	Washer	9611993199	9611993199	9611993199
16	1	Adaptor	9612342601	9612342601	9612342701
17	4	Screw for adaptor	9611992163	9611992164	9611992164
18	4	Nut for adaptor	9611992160	9611992160	9611992160
19	4	Washer for adaptor	9611991886	9611991886	9611991886
22	1	Safety guard set	9614077404	9614077404	9614077404
23	1	Screw for safety guard	9611993239	9611993239	9611993239
30a	1	Support bar, right	9612132203	9612132204	9612342201
30b	1	Support bar, left	9612132303	9612132304	9612342201
31	4	Leg	9612396702	9612396702	9612396701
32	4	Screw	9611991126	9611991126	9611991907
33	4	Nut	9611990587	9611990587	9611990587
34	4	Spring washer	9611990676	9611990676	9611990676
35	4	Screw	9611991834	9611991834	9611993680
35a	4	Washer	9611990706	9611990706	9611990703

Shroud

2	1	Shroud	9612139005	9612139006	9612593801
3	4	Screw	9611993241	9611993241	9611993243
46	4	Distance sleeve	3143803902	3143803901	3143803903
53	4	Pivot screw			9611991763

Accessories

1	1	Tool complete	9612903601	9612903601	9612903701
---	---	---------------------	------------	------------	------------



- Product wetted steel parts
- Product wetted elastomer parts

LKH UltraPure - Motor dependent parts

Pos	Qty	Denomination	IEC132				
			1500rpm	IEC160	IEC180	IEC200	IEC250
LKHUP70							
7	1	Shaft	9612614703	9612512603	9612512303	9612512203	9612501003
8	1	Connex pin	9611990622	9611990622	9611990622	9611990622	9611990622
5a	1	Compression ring with thread	9612133605	9612133603	9612133604	9612133607	9612133608
5b	1	Compression ring without thread	9612133705	9612133703	9612133704	9612133707	9612133708
6	6	Screw	9611993197	9611993198	9611993198	9611993198	9611993266
6a	6	Washer	9611993199	9611993199	9611993199	9611993199	9611993199
16	1	Adaptor	9612614601	9612511901	9612511901	9612511801	9612500801
17	4	Screw for adaptor	9611992162	9611992163	9611992164	9611992164	9611992200
18	4	Nut for adaptor	9611990587	9611992160	9611992160	9611992160	9611992160
19	4	Washer for adaptor	9611990676	9611991886	9611991886	9611991886	9611991886
22	1	Safety guard set	9614077406	9614077407	9614077407	9614077407	9614077408
23	1	Screw for safety guard	9611993239	9611993239	9611993239	9611993239	9611993239
30a	1	Support bar, right	9612132206	9612132203	9612132204	9612342201	
30b	1	Support bar, left	9612132306	9612132303	9612132304	9612342201	
31	4	Legs	9612396702	9612396702	9612396702	9612396701	
32	4	Screw	9611991126	9611991126	9611991126	9611991907	
33	4	Nut	9611990353	9611990587	9611990587	9611990587	
34	4	Spring washer	9611991887	9611990676	9611990676	9611990676	
35	4	Screw	9611991911	9611991834	9611991834	9611993680	
35a	4	Washer	9611990786	9611990706	9611990706	9611990703	
47	2	Leg bracket					9612518401
48	4	Nut for leg					9611993260
49	4	Screw for leg					9612518501

Shroud

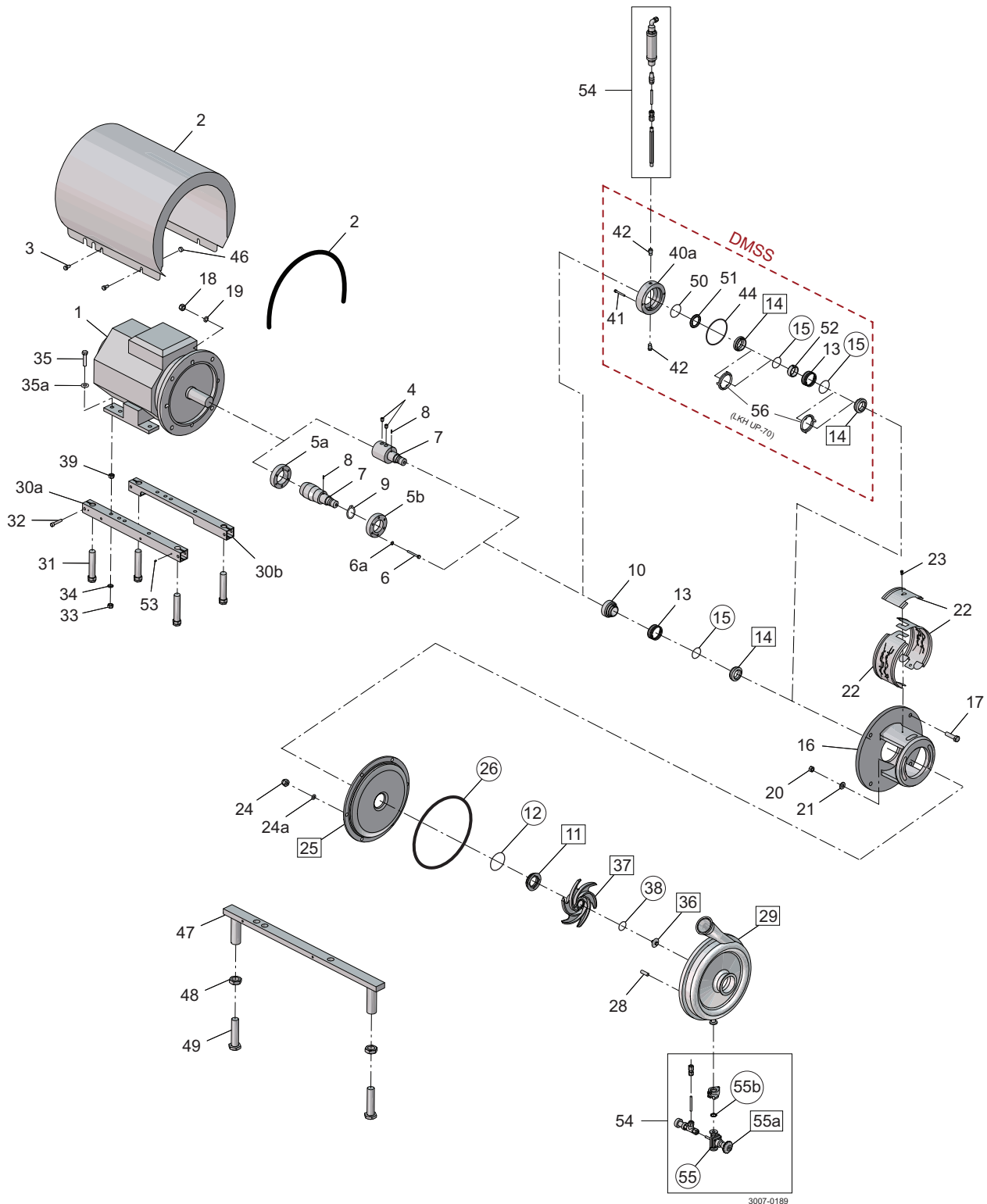
2	1	Shroud	9612139008	9612139005	9612139006	9612593801	9612593804
3	4	Screw	9611993240	9611993241	9611993243	9611993243	9611993243
46	4	Distance sleeve	9611992737	3143803902	3143803901	3143803903	3143803901
53	4	Pivot screw				9611991763	

Pos	Qty	Denomination	1.5 kW	2.2 kW	3 kW	4 kW	5.5 kW
			IEC90	IEC90	IEC100	IEC112	IEC132
1	1	Motor ABB, 3000rpm	9614303003	9614303004	9614303005	9614303006	9614303007

Pos	Qty	Denomination	7.5 kW	11 kW	15 kW	18.5 kW	22 kW
			IEC132	IEC160	IEC160	IEC160	IEC180
1	1	Motor ABB, 3000rpm	9614303008	9614303009	9614303010	9614303011	9614303012

Pos	Qty	Denomination	30 kW	37 kW	45 kW	55 kW	75 kW
			IEC200	IEC200	IEC200	IEC250	IEC250
1	1	Motor ABB, 3000rpm	9614303013	9614303014	9614303015	9614303016	9614303017

3 ~, 50 Hz, 230VD/400-415VY - Standard ≤ 22 kW and 400-415VD/690VY Standard > 22 kW
 3 ~, 60 Hz, 440-460VY - Standard ≤ 22 kW and 440-460VD Standard > 22 kW



Product wetted steel parts



Product wetted elastomer parts

Pos	Qty	Denomination	LKHUP25/35/		
			LKHUP10/20	40/45/60	LKHUP70
10	1	Drive ring, Single shaft seal steel	9614206001	9614206001	9612514901
Flushing set					
54	1	Basic 1/2"	9612610607	9612610601	9612610608
55	1	Diaphragm EPDM, for Diaphragm valve from 2014 -	9615000101	9615000101	9615000101
55a	1	Diaphragm valve	9615017635	9615017635	9615017635
55b	1	1/2" clamp gasket, EPDM	9615356701	9615356701	9615356701
Parts for double mechanical shaft seal					
40a	1	Seal housing	9612133902	9612133902	9612591401
41	2	Screw for seal housing	9611990203	9611990203	9611993766
42	2	Fittings	9611992323	9611992323	9611992323
Single shaft seal SiC/SiC					
11	□	1 Stationary seal ring, SiC			
12	□	1 O-ring			
13	□	1 Spring			
14	□	1 Rotating seal ring, SiC			
15	□	1 O-ring			
Double mechanical shaft seal SiC/SiC					
11	◆	1 Stationary seal ring, SiC			
12	◆	1 O-ring			
13	◆	1 Spring			
14	◆	2 Rotating seal ring, SiC			
15	◆	2 O-ring			
44	◆	1 O-ring for seal housing			
50	◆	1 O-ring			
51	◆	1 Sec. stationary seal ring			
52	◆	1 Drive ring			
56	◆	2 Cup			

EPDM FPM FEP

Service kit for single shaft seal (incl. Q-doc)

□	Service kit LKHUP-10	9611922339	9611922338	9611922340
□	Service kit LKHUP-20	9611922357	9611922356	9611922358
□	Service kit LKHUP-25/35/45	9611922375	9611922374	9611922376
□	Service kit LKHUP-40/60	9611922393	9611922392	9611922394
□	Service kit LKHUP-70	9611920549	9611920550	9611920551

Service kit for double mechanical shaft (incl. Q-doc)

◆	Service kit LKHUP-10	9611922345	9611922344	9611922346
◆	Service kit LKHUP-20	9611922363	9611922362	9611922364
◆	Service kit LKHUP-25/35/45	9611922381	9611922380	9611922382
◆	Service kit LKHUP-40/60	9611922399	9611922398	9611922400
◆	Service kit LKHUP-70	9611920552	9611920553	9611920554

Note: All service kits are as standard delivered with Q-doc, including 3.1 certification on product wetted steel parts and declarations of conformity.

Parts marked with □◆ are included in the service kits.

Recommended spare parts: Service kits.

Conversion kit single to double mechanical shaft seal : Please order Double mechanical service kit + pos. 40a + 41 + 42

(900065/19)

How to contact Alfa Laval

Contact details for all countries are continually updated on our website.

Please visit www.alfalaval.com to access the information directly.

© Alfa Laval Corporate AB

This document and its contents is owned by Alfa Laval Corporate AB and protected by laws governing intellectual property and thereto related rights. It is the responsibility of the user of this document to comply with all applicable intellectual property laws. Without limiting any rights related to this document, no part of this document may be copied, reproduced or transmitted in any form or by any means (electronic, mechanical, photocopying, recording, or otherwise), or for any purpose, without the expressed permission of Alfa Laval Corporate AB. Alfa Laval Corporate AB will enforce its rights related to this document to the fullest extent of the law, including the seeking of criminal prosecution.