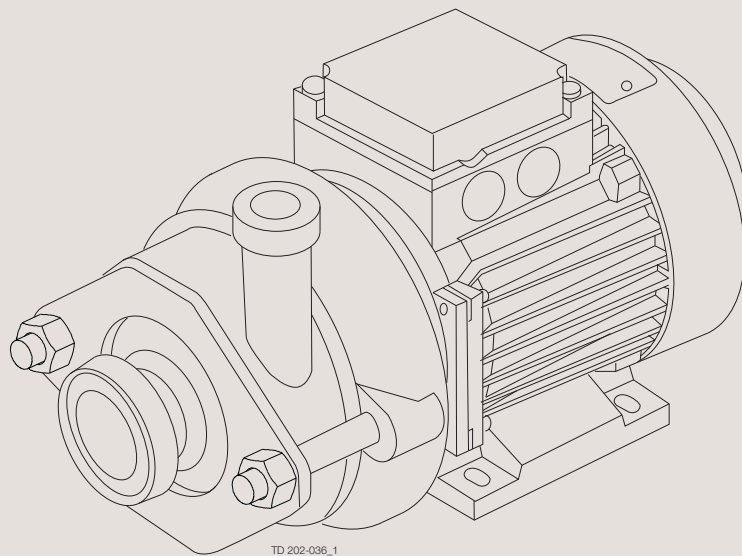




Spare Parts

GM Centrifugal Pump



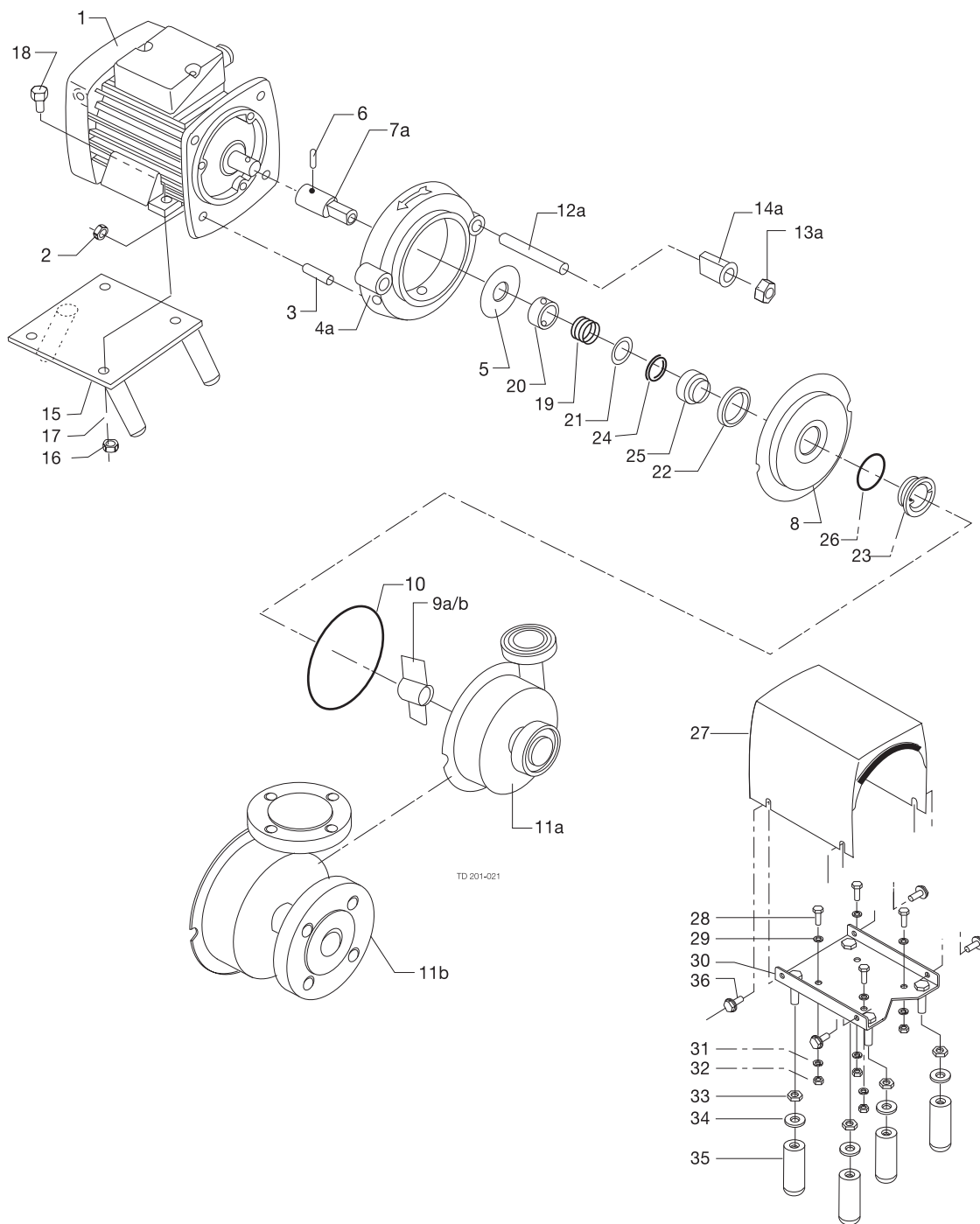
ESE00723-EN7 2016-11

Original manual

Table of contents

The information herein is correct at the time of issue but may be subject to change without prior notice

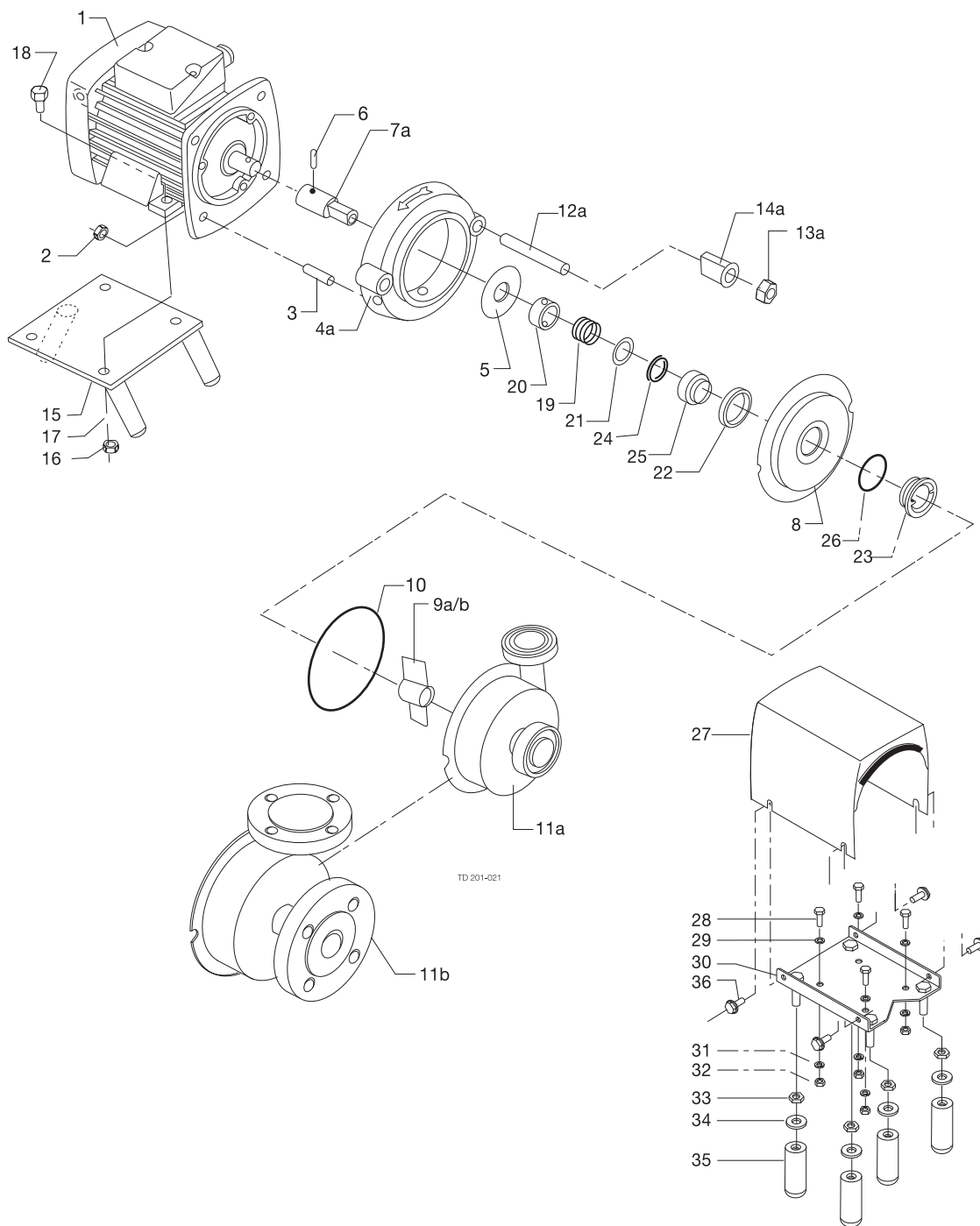
1. GM Centrifugal Pump and service kits	4
2. GM-A Centrifugal Pump and service kits	8



GM Centrifugal Pump and service kits

Pos	Qty	Denomination	GM-1 & 2
1	1	Motor 0.55 kW 220-240/380-420 V (Standard)	3180124611
2	4	Nut, (period 2008-)	9611990360
	4	Nut, (period -2008)	221804303
3	4	Stud bolt, (period 2008-)	9611992168
	4	Stud bolt, (period -2008)	221622103
4a	1	Adaptor, (period 2008-)	3145600523
	1	Adaptor, (period -2008)	3145600521
5	1	Thrower	3143700381
6	1	Tubular spring pin	22211920
7a	1	Pump shaft	3145600061
8	1	Black plate	3145600351
9a	1	Impeller GM-1, ø95 mm, Polyamide, (Standard) Max. 80°C	3145600091
9b	1	Impeller GM-2, ø115 mm, Polyamide, (Standard) Max. 80°C	3145600251
10	1	O-ring, NBR (Standard)	22341275
	1	O-ring, EPDM	223412175
	1	O-ring, FPM	22341276
	1	O-ring, PTFE	3145600601
Pump casing with sanitary fittings 38 mm inlet and outlet			
11a	1	ISO male	3145600501
	1	SMS	3145600502
	1	DIN	3145600503
	1	ISO clamp	3145600504
	1	BS	3145600505
11b	1	Pump casing with flanges DN 32 inlet/DN 25 outlet	
12a	2	Stud bolt, (period -2008)	9611992994
	2	Stud bolt, (period 2008-)	9612363505
13a	2	Cap nut, (period -2008)	110102
	2	Cap nut, (period 2008-)	9611992107
14a	2	Collet	3145600581
15	1	Legs, complete (not standard.)	3145600281
16	4	Nut	221804302
17	4	Washer	22310148
18	4	Screw	221093501
22	1	Nut	3143701201
Shroud and legs			
27	1	Shroud complete	3145601311
28	4	Screw	9611990456
29	4	Washer	9611990752
30	1	Mounting frame complete	3145601321
31	4	Washer	22310725
32	4	Nut	9611990252
33	4	Nut	9611991829
34	4	Washer	3146001041
35	4	Legs	3146012481
36	4	Screw	9611993240
Optional extras:			
	1	Shroud and legs kit	9611921044

* Sometimes reduced impeller diameter. Check the diameter of the original impeller.



GM Centrifugal Pump and service kits

Pos	Qty	Denomination	NBR (Standard)	EPDM	FPM	PTFE
	□	Shaft seal, complete	9612439101	9612439103	9612439104	9612439102
19	1	Spring				
20	1	Spacer				
21	1	Washer				
23	1	Stationary seal ring SiC.				
24	1	O-ring				
25	1	Rotating seal ring				
26	1	Seal				

Pos	Qty	Denomination	NBR (Standard)	EPDM	FPM	PTFE
Alternatives						
		Shaft seal, complete	9612439105	9612439107	9612439108	9612439106
19	1	Spring				
20	1	Spacer				
21	1	Washer				
23	1	Stationary seal ring SiC.				
24	1	O-ring				
25	1	Rotating seal ring SiC.				
26	1	Seal, PTFE				

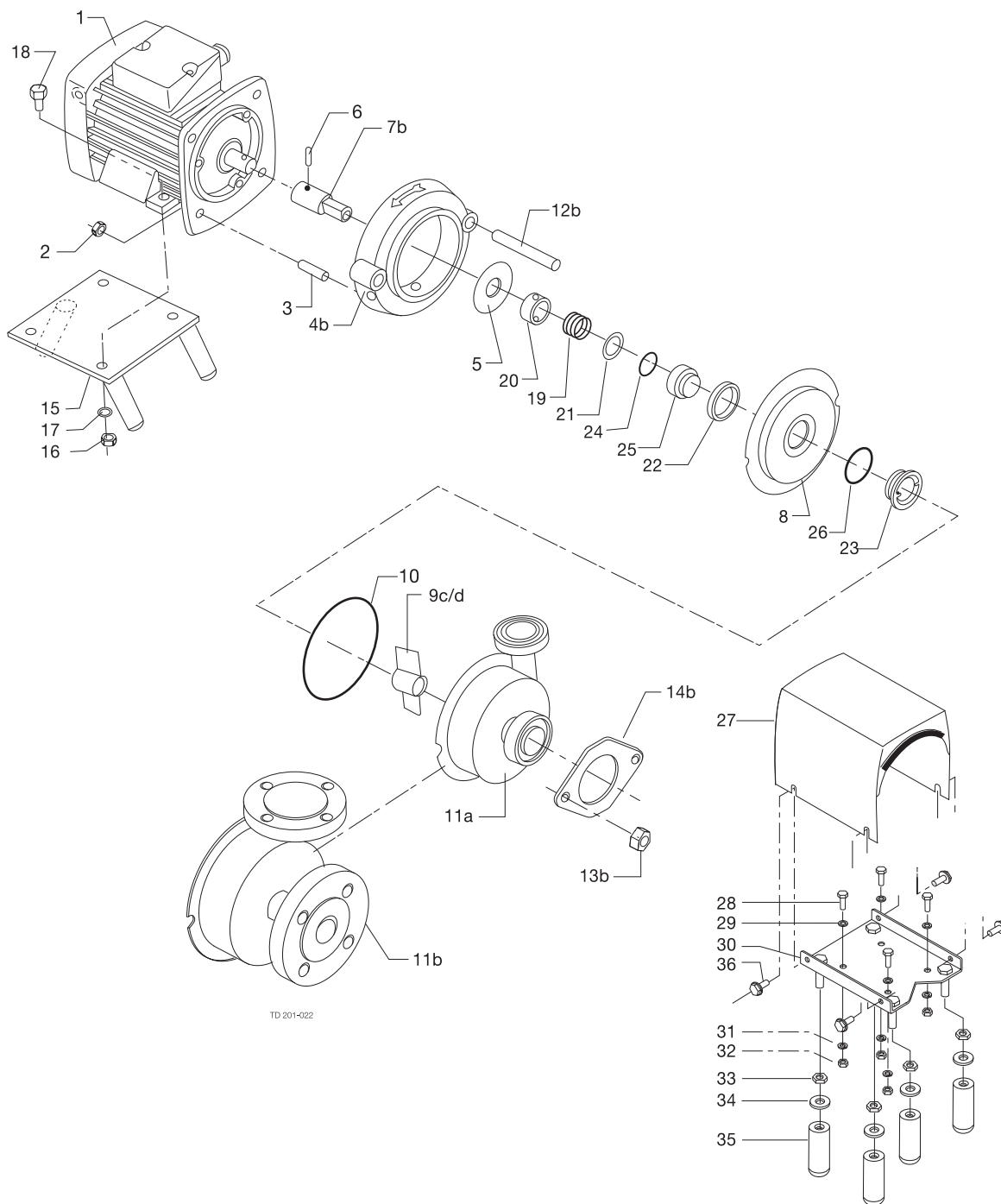
GM-1 & 2

Service kit

Service kit, NBR.	9611921046
Service kit, EPDM.	9611921047
Service kit, FPM.	9611921048
Service kit, PTFE.	9611921049

Recommended spare parts: service kits.

(900451/5)



TD 201-022

GM-A Centrifugal Pump and service kits

Pos	Qty	Denomination	GM-1A & 2A
1	1	Motor IEC71, 3000rpm	3180124611
2	4	Nut, (period -2008)	221804303
	4	Nut, (period 2008-)	9611990360
3	4	Stud bolt, (period -2008)	221622103
	4	Stud bolt, (period 2008 -)	9611992168
4b	1	Adaptor, (period 2008 -)	3145600401
	1	Adopter, (period 2008 -)	3145600402
5	1	Thrower	3143700381
6	1	Tubular spring pin	22211920
7b	1	Pump shaft	3145600441
8	1	Back plate	3145600351
9c	1	Impeller GM-1A, ø95 mm, (Standard) (AISI 316)	9612186802
	1	Impeller, GM-1A, 4 bladed, ø95 mm	9612355001
9d	1	Impeller GM-2A, ø115 mm, (Standard) (AISI 316)	9612186801
	1	Impeller, GM-2A, 4 bladed, ø115 mm	9612354901
10	1	O-ring, NBR (Standard)	22341275
	1	O-ring, EPDM	223412175
	1	O-ring, FPM	22341276
	1	O-ring, PTFE	3145600601

Pump casing with sanitary fittings 38 mm inlet and outlet

11a	1	ISO male	3145600501
	1	SMS	3145600502
	1	DIN	3145600503
	1	ISO clamp	3145600504
	1	BS	3145600505
11b	1	Pump casing with flanges DN 32 inlet/DN 25 outlet	
12b	2	Stud bolt, (period -2008)	9612363505
	2	Stud bolt, (period 2008-)	9611992994
13b	2	Cap nut, (period -2008)	110102
	2	Cap nut, (period 2008-)	9611992107
14b	1	Yoke	3145700501
15	1	Legs, complete (Not standard)	3145600281
16	4	Nut	221804302
17	4	Washer	22310148
18	4	Screw	221093501
22	1	Nut	3143701201

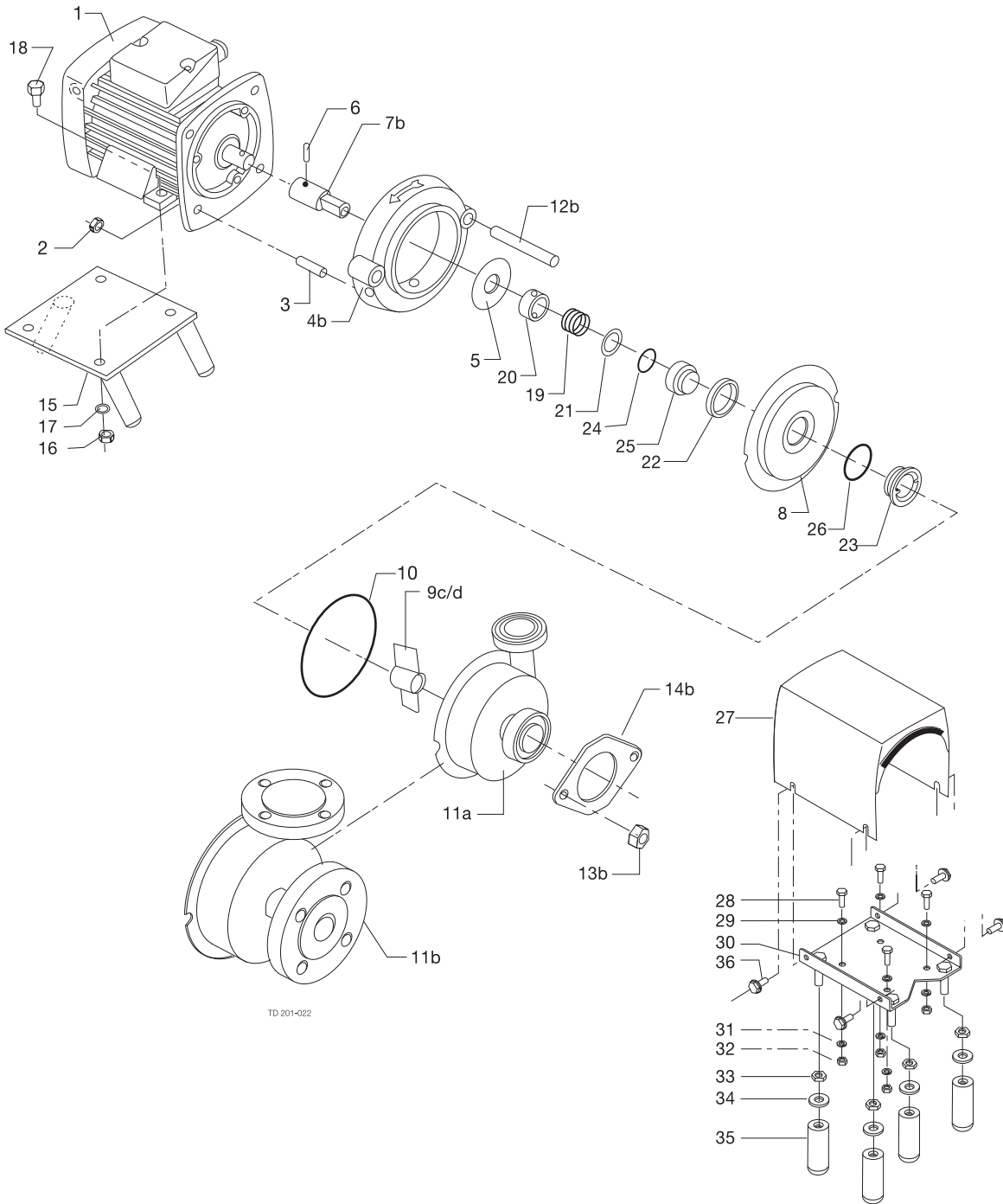
Shroud and legs

27	1	Shroud complete	3145601311
28	4	Screw	9611990456
29	4	Washer	9611990752
30	1	Mounting frame complete	3145601321
31	4	Washer	22310725
32	4	Nut	9611990252
33	4	Nut	9611991829
34	4	Washer	3146001041
35	4	Legs	3146012481
36	4	Screw	9611993240

Optional extras:

1	Shroud and legs kit	9611921044
---	---------------------------	------------

* Sometimes reduced impeller diameter. Check the diameter of the original impeller.



TD 201-022

GM-A Centrifugal Pump and service kits

Pos	Qty	Denomination	NBR (Standard)	EPDM	FPM	PTFE
	□	Shaft seal, complete	9612439101	9612439103	9612439104	9612439102
19	1	Spring				
20	1	Spacer				
21	1	Washer				
23	1	Stationary seal ring SiC.				
24	1	O-ring				
25	1	Rotating seal ring				
26	1	Seal				

Pos	Qty	Denomination	NBR (Standard)	EPDM	FPM	PTFE
Alternatives						
		Shaft seal, complete	9612439105	9612439107	9612439108	9612439106
19	1	Spring				
20	1	Spacer				
21	1	Washer				
23	1	Stationary seal ring SiC.				
24	1	O-ring				
25	1	Rotating seal ring SiC.				
26	1	Seal				

GM-1A & 2A

Service kit

Service kit, NBR.	9611921046
Service kit, EPDM.	9611921047
Service kit, FPM.	9611921048
Service kit, PTFE.	9611921049

Recommended spare parts: service kit.

(900155/3)

How to contact Alfa Laval

Contact details for all countries are continually updated on our website.

Please visit www.alfalaval.com to access the information directly.

© Alfa Laval Corporate AB

This document and its contents is owned by Alfa Laval Corporate AB and protected by laws governing intellectual property and thereto related rights. It is the responsibility of the user of this document to comply with all applicable intellectual property laws. Without limiting any rights related to this document, no part of this document may be copied, reproduced or transmitted in any form or by any means (electronic, mechanical, photocopying, recording, or otherwise), or for any purpose, without the expressed permission of Alfa Laval Corporate AB. Alfa Laval Corporate AB will enforce its rights related to this document to the fullest extent of the law, including the seeking of criminal prosecution.